

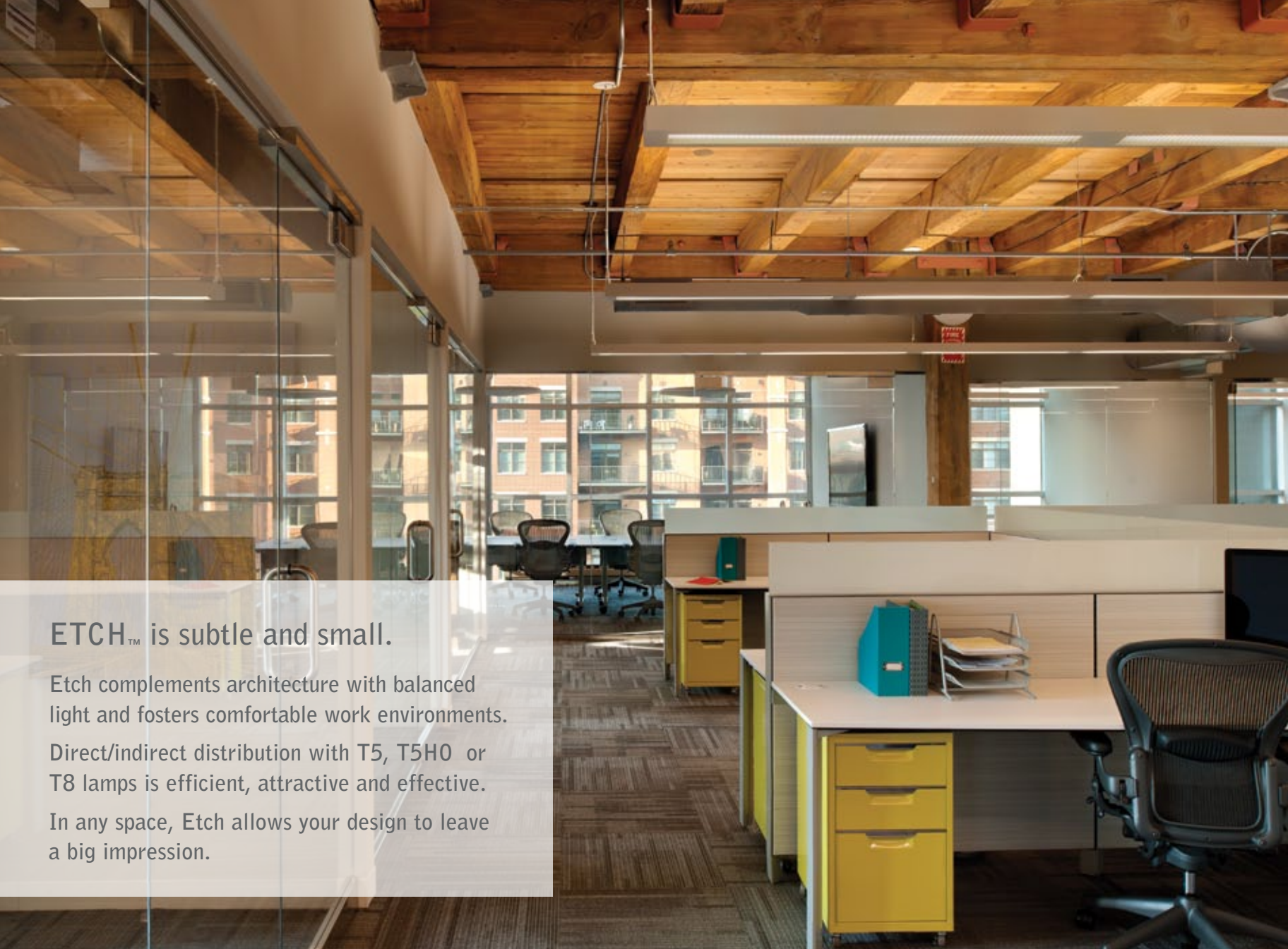


FOCAL POINT



FOCAL POINT®

TM



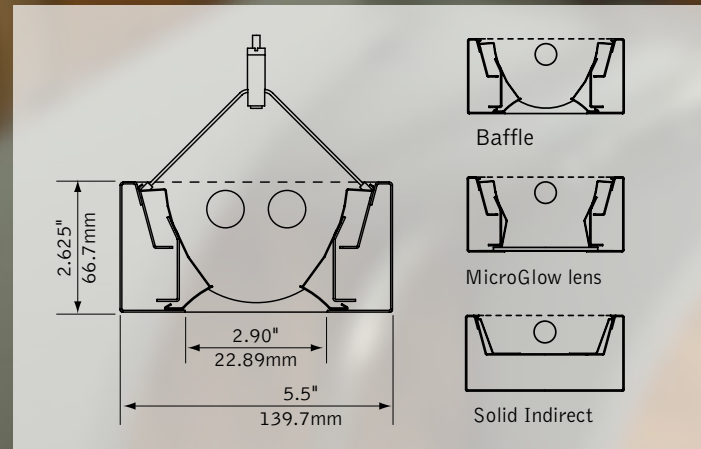
ETCH™ is subtle and small.

Etch complements architecture with balanced light and fosters comfortable work environments.

Direct/indirect distribution with T5, T5H0 or T8 lamps is efficient, attractive and effective.

In any space, Etch allows your design to leave a big impression.

ETOH™

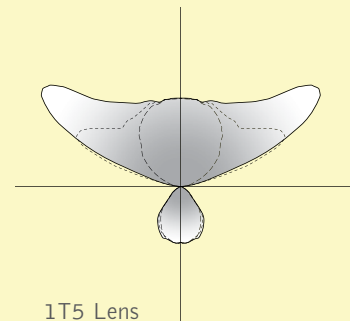
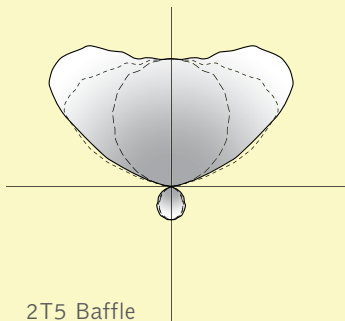


performance & distribution

All Etch options meet Focal Point's everGreen requirements of 80% or higher efficiency, with T5 options exceeding 90%.

Etch provides indirect illumination above with a soft glow below. Choose a one lamp option for wide angle indirect distribution allowing increased row spacing and close-to-ceiling mounting.

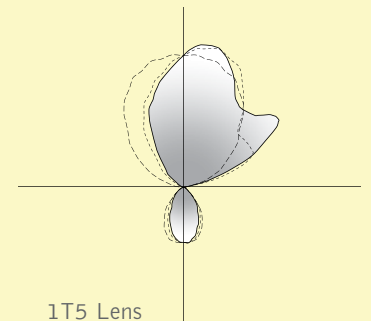
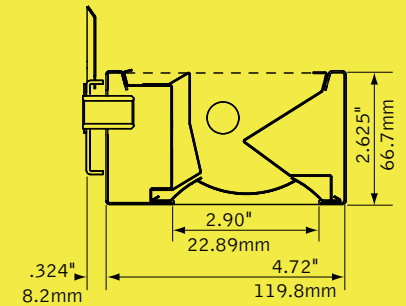
shielding	lamping	efficiency	uplight	downlight
lens	1T5	96%	82%	18%
	2T5	92%	90%	10%
baffle	2T5	95%	87%	13%
	1T8	85%	85%	15%
	2T8	80%	77%	23%





wall mount companion

Available in one lamp options to complement the suspended versions, Etch wall mount provides subtle asymmetric uplift with a soft glow below.



suspended

luminaire series		FETS
Etch	FETS	
shielding		
MicroGlow Lens	M1	
Parallel Blade Baffle	PB	
Solid Indirect	SD	
lamping		
One Lamp T8	1T8	
One Lamp T5	1T5	
One Lamp T5H0	1T5H0	
Two Lamp T8	2T8	
Two Lamp T5	2T5	
Two Lamp T5H0	2T5H0	
circuits		
Single Circuit	1C	
Dual Circuit	2C	
voltage		
120 Volt	120	
277 Volt	277	
347 Volt	347	
ballast		
Electronic Instant Start <20% THD (T8 only)	E	
Electronic Program Start <10% THD	S	
Electronic Dimming Ballast	D	
mounting		
24" Cable Suspension	C24	
48" Cable Suspension	C48	
96" Cable Suspension <small>(Specify "J" in place of "C" for 5" dia. canopies at power feed and 2" dia canopies at non-feed locations)</small>	C96	
factory options		
Clear Acrylic Dust Cover <small>(not available with 2T5H0)</small>	DC	
Emergency Circuit	EC	
Emergency Battery Pack	EM	
HLR/GLR Fuse	FU	
Include 3000K Lamp	L830	
Include 3500K Lamp	L835	
Include 4100K Lamp	L841	
Lutron™ Daylight Sensor <small>(EcoSystem/H-Series ballast & controls required)</small>	LY1	
Lutron™ Sensor Feed <small>(EcoSystem ballast & controls required)</small>	SF	
Philips® Daylight Sensor <small>(0-10V dimming ballast required)</small>	PY1	
WattStopper™ Daylight Sensor <small>(0-10V dimming ballast required)</small>	WY1	
WattStopper™ Occupancy Sensor	W01	
finish		
Matte White Housing	WH	
Titanium Silver	TS	
luminaire length		
4' Nominal Housing	4'	
8' Nominal Housing	8'	
12' (8'+4')	12'	
16' (8'+8')	16'	
20' (8'+4'+8')	20'	
24' (8'+8'+8')	24'	
<small>(Consult factory for additional lengths)</small>		
remotes <small>(specify quantity)</small>		
WattStopper™ Daylight Setup Remote <small>(required for daylighting, one included per order)</small>	WYSR	
WattStopper™ Occupant Controller	WOR	

wall mount

luminaire series		FETW
Etch	FETW	
shielding		
MicroGlow Lens	M1	
Parallel Blade Baffle	PB	
Solid Indirect	SD	
lamping		
One Lamp T8	1T8	
One Lamp T5	1T5	
One Lamp T5H0	1T5H0	
circuits		
Single Circuit	1C	
voltage		
120 Volt	120	
277 Volt	277	
347 Volt	347	
ballast		
Electronic Instant Start <20% THD (T8 only)	E	
Electronic Program Start <10% THD	S	
Electronic Dimming Ballast	D	
mounting		
Wall Mount	WM	
factory options		
Clear Acrylic Dust Cover	DC	
Emergency Circuit	EC	
Emergency Battery Pack	EM	
HLR/GLR Fuse	FU	
Include 3000K Lamp	L830	
Include 3500K Lamp	L835	
Include 4100K Lamp	L841	
Lutron™ Daylight Sensor <small>(EcoSystem/H-Series ballast & controls required)</small>	LY1	
Lutron™ Sensor Feed <small>(EcoSystem ballast & controls required)</small>	SF	
Philips® Daylight Sensor <small>(0-10V dimming ballast required)</small>	PY1	
WattStopper™ Daylight Sensor <small>(0-10V dimming ballast required)</small>	WY1	
WattStopper™ Occupancy Sensor	W01	
finish		
Matte White Housing	WH	
Titanium Silver	TS	
luminaire length		
4' Nominal Housing	4'	
8' Nominal Housing	8'	
12' (8'+4')	12'	
16' (8'+8')	16'	
20' (8'+4'+8')	20'	
24' (8'+8'+8')	24'	
<small>(Consult factory for additional lengths)</small>		
remotes <small>(specify quantity)</small>		
WattStopper™ Daylight Setup Remote <small>(required for daylighting, one included per order)</small>	WYSR	
WattStopper™ Occupant Controller	WOR	



TM