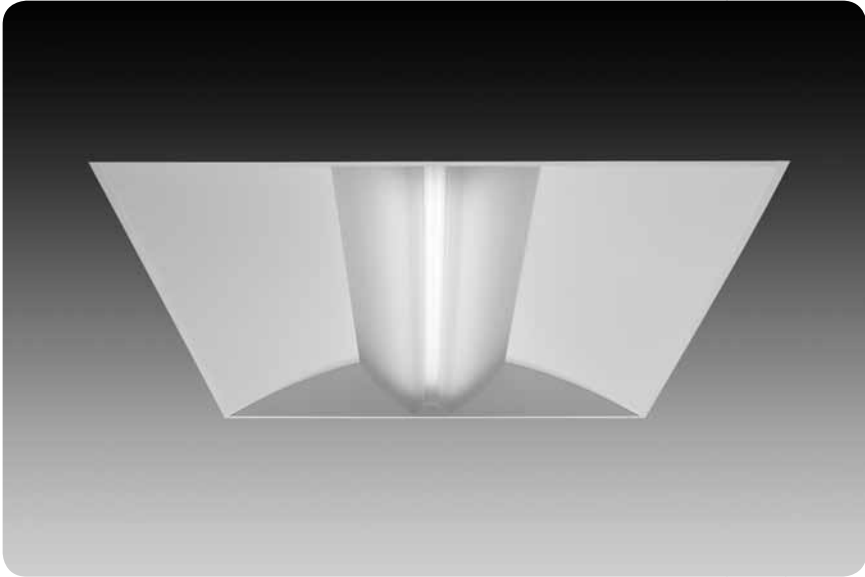


Armstrong® DC FlexZone™ Compatible
aerion® family



Covered by the following U.S. Patents: D605,340; D605,341; D605,342; D608,490

features

High efficiency architectural recessed fluorescent luminaire family. Now with EMerge Alliance® Registered options compatible with Armstrong DC FlexZone ceilings for plug-and-play flexibility in DC power applications.

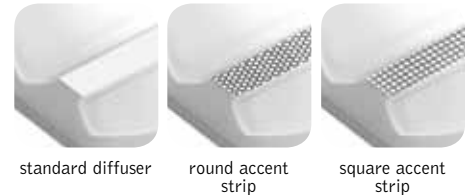
Aerion's blend of sweeping curves and contemporary lines compliment today's architecture.

Aerion's center lamp chamber provides minimal contrast between the diffuser and side reflectors creating even illumination and comfort.

A shallow 3.6" housing depth flies under the radar of most plenum obstructions.

The lamp diffuser has been designed with an upper and lower track that accepts individual or combinations of accent strips.

shielding options



standard diffuser

round accent strip

square accent strip

color options

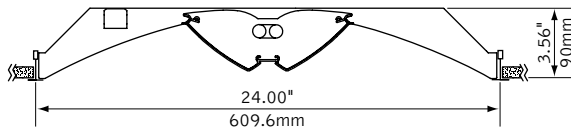


red insert

green insert

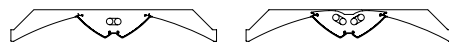
blue insert

dimensional data

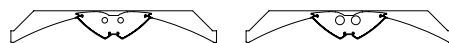


lampping options

2'x2'



BIAX LAMP

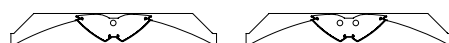


T5HO LAMPS



T8 LAMPS

2'x4'



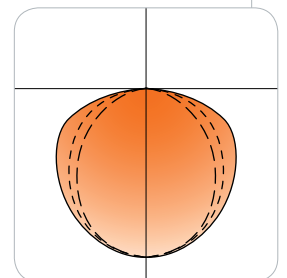
T5/T5HO LAMPS



T8 LAMPS

performance

2'x2' Luminaire
 1-Lamp 40W BiAx
 71% Efficiency
 1560 cd @ 0°



Visit focalpointlights.com for complete photometric data.

fixture:

project:

mounting information

Armstrong® DC FlexZone™ compatible



specifications

construction

One piece 20 Ga. steel reflector and housing.
 20 Ga. steel ends form finishing housing.
 Side access 20 Ga. steel ballast compartment.
 Earthquake brackets supplied as standard.

Weight:
 2"x2": 17 lbs
 2"x4": 25 lbs

optic

20 Ga. steel reflectors finished in matte satin white powder coat.
 .095" thick frosted white acrylic lamp diffusers with linear micro-prism pattern.
 Optional .020" thick acrylic accent strip available in round or square pattern.

electrical

Class 2 low voltage DC ballasts have a Class "P" rating.
 UL Listed.

Ballast Factors:

0.78 - 54W T5H0 & 55W Biax
 0.75 - 32W T8 (2 lamp)
 1.00 - all others

0-10V dimming standard.

Load cable assembly connects fixture to low voltage bus bar.

finish

Polyester powder coat applied over a 5-stage pre-treatment.
 Optional Matte Satin White with anti-microbial coating provides 99.99% protection against a broad spectrum of micro-organisms.



ordering

luminaire series		<u>FAR</u>
Aerion	FAR	
nominal size		
2' x 2'	22	
2' x 4'	24	
shielding		
Acrylic Diffuser	AC	
Acrylic Diffuser with Round Accent Strip	RA	
Acrylic Diffuser with Square Accent Strip	SA	
optional color inserts (Leave blank for no color)		
Red	R	
Green	G	
Blue	B	
lamp quantity		
One Lamp (2x2 - Biax only)	1	
Two Lamp	2	
lamp type		
40 Watt Biax (2'x2' only)	BX40	
55 Watt Biax (2'x2' only)	BX55	
T5 (2'x4' only)	T5	
T5H0 (2x4 - 1-lamp only)	T5H0	
T8 (2-lamp only)	T8	
ballast		<u>DCF</u>
DC 0-10V Dimming	DCF	
voltage		<u>24</u>
24 Volt	24	
mounting		
DC Suprafine® 9/16" Grid	G2	
DC Silhouette® 9/16" Slot Tee	G3	
factory options		
Air Return (Overall height for luminaire with Air Return is 4.26")	AR	
Include 3000K Lamp*	L830	
Include 3500K Lamp*	L835	
Include 4100K Lamp*	L841	
finish		
Matte Satin White	WH	
Matte Satin White with Anti-Microbial Coating	WHA	

* for more information see Reference section.

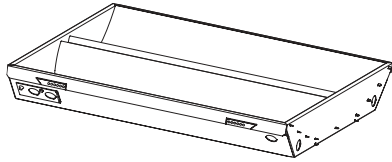
Focal Point LLC | 4141 S. Pulaski Rd, Chicago, IL 60632 | T: 773.247.9494 | F: 773.247.8484 | info@focalpointlights.com | www.focalpointlights.com. Focal Point LLC reserves the right to change specifications for product improvement without notification.

aerion™

Armstrong® DC FlexZone™ compatible
FAR 2x2 | 2x4



FOCAL POINT



OTHERS



x4

KEY



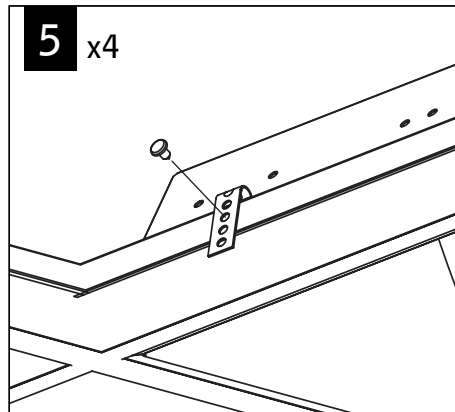
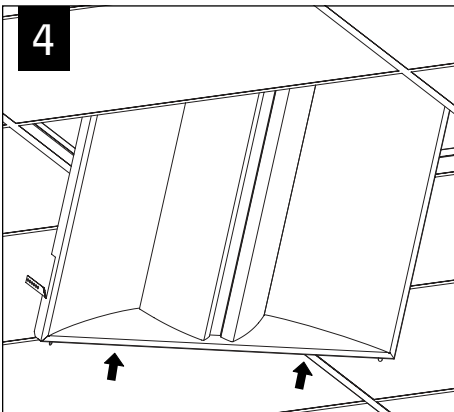
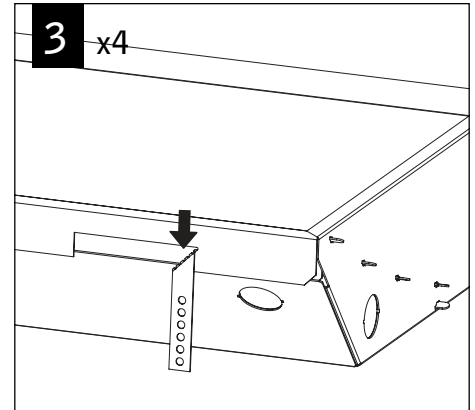
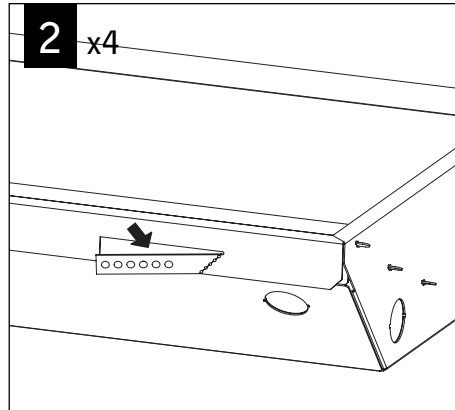
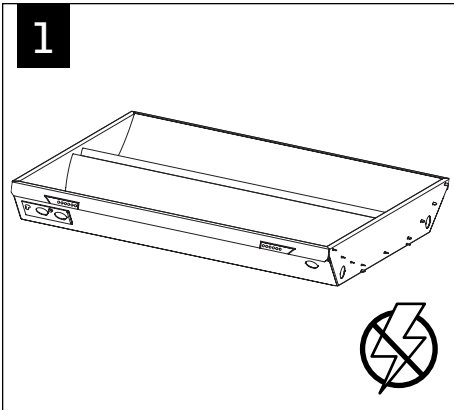

POWER OFF



POWER ON



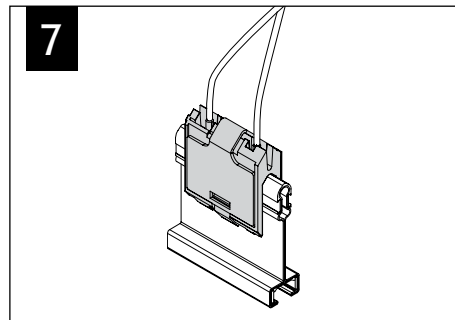
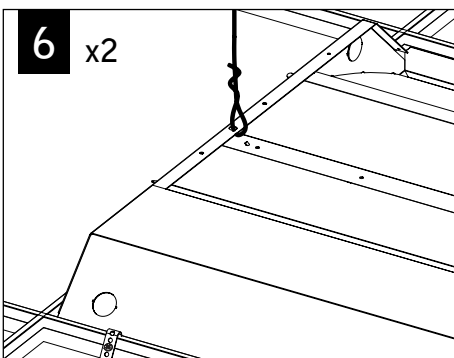
ATTENTION

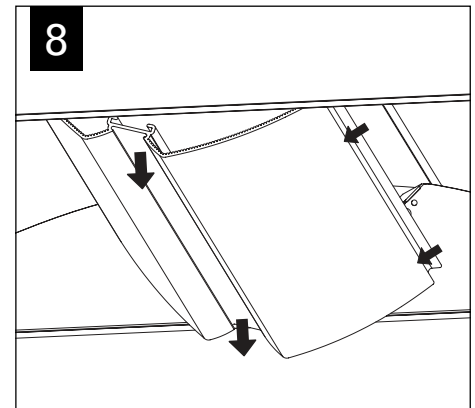
INSULATORS (SUPPLIED) MUST BE PLACED BETWEEN SEISMIC BRACKETS AND DC MAIN TEE.

ATTACH SCREW TO WEB OF DC MAIN TEE, NOT BULB.

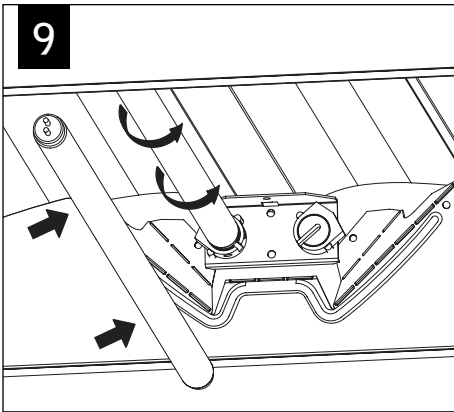
OPTIONAL



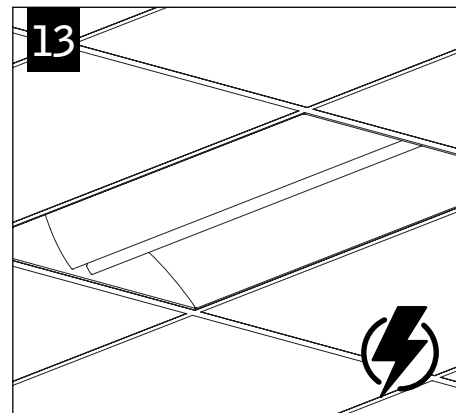
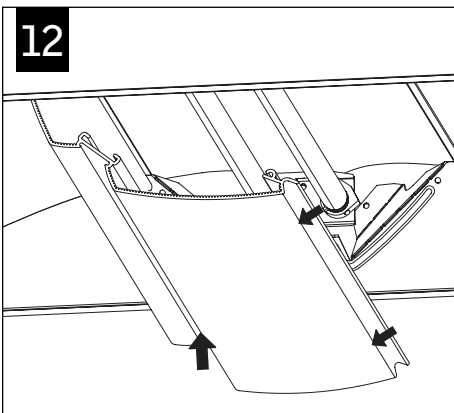
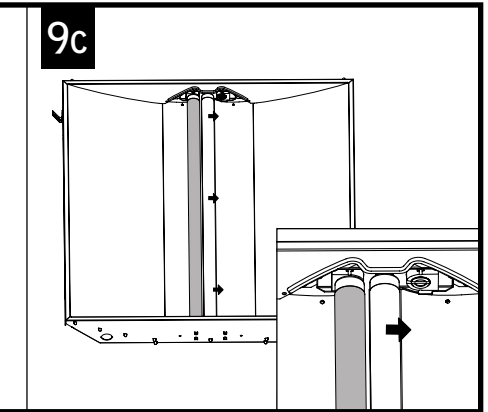
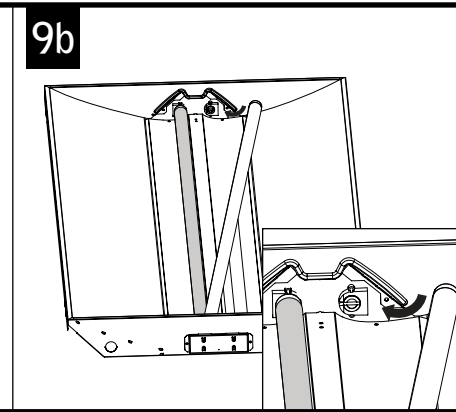
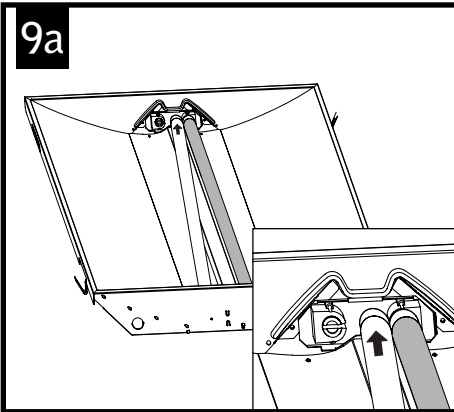
ATTACH TYCO CONNECTOR (SUPPLIED) TO DC POWERED MAIN TEE



Luminaires must be installed by a qualified electrician (check with local and national codes for proper installation).
To prevent electrical shock, disconnect electrical supply before installation or servicing.



2 T8 LAMPING



Contractor is responsible for adequately reinforcing walls and/or ceilings to support fixture weight. Focal Point, LLC accepts no responsibility for inadequately reinforced walls and/or ceilings. The information contained in this drawing is the sole property of Focal Point, LLC. Any reproduction in part or whole without the written permission of Focal Point, LLC is prohibited. US Patents: D605,340; D605,341; D605,342; D608,490; D620, 190S. European Patents: EU CRD 001596313-0001, EU CRD 001596313-0002, EU CRD 001596313-0003, EU CRD 001596313-0004, EU CRD 001596313-0005, EU CRD 001596313-0006, EU CRD 001596313-0007, EU CRD 001596313-0008, EU CRD 001596313-0009.