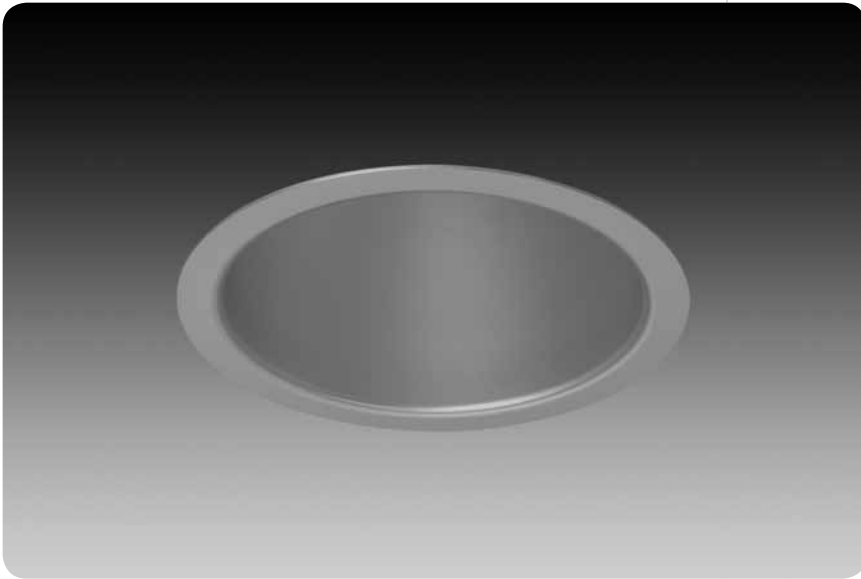


4.5" – downlight

id®



CFL



Patent Pending

### features

Unobtrusive 4.5" aperture.

Unique SmartShell™ optical design maximizes efficiency.

Shallow housing with horizontal lamping.

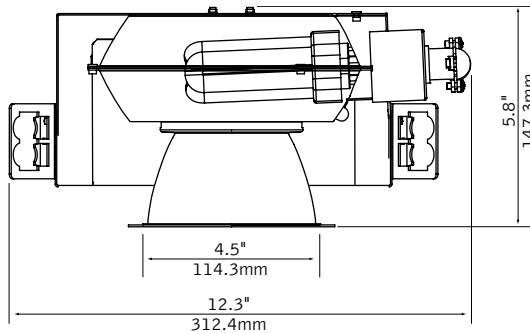
Self-flanged or painted trim provides a smooth transition to the ceiling.

Trim fits tightly to ceiling via torsion springs.

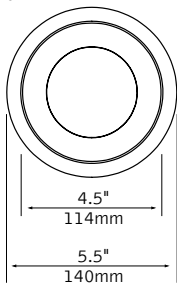
Accommodates ceilings up to 1" thick.

Diffuse reflectors offer glare control and 55-degree cut-off to lamp and its image.

### dimensional data



### trim



### reflector colors



clear diffuse



warm diffuse

### flange finish



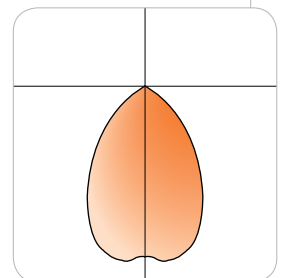
non-painted self-flanged



white painted

### performance

1-Lamp 26W Triple Tube  
Downlight Optic, Clear Diffuse  
35% Efficiency  
462 cd @ 10°

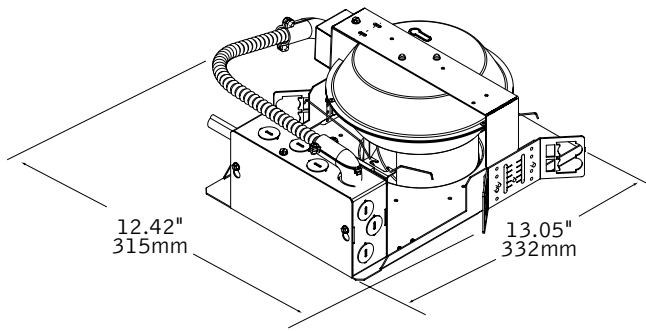


Visit [focalpointlights.com](http://focalpointlights.com) for complete photometric data.

fixture:

project:

### details



### specifications

#### housing

Frame may be installed into ceiling thicknesses up to 1". For thicker ceiling consult factory.

Butterfly brackets allow mounting to ½ emt. Order bar hangers as an accessory.

Galvanized steel frame includes large Junction box 7" x 3.5" with (10) 1/2" pry outs. UL listed for through branch wiring, four #12 90°C conductors.

Thermally protected housing for new construction applications without direct contact with insulation. Insulation to be kept 3" away from housing.

#### upper reflector

Upper reflector constructed of .05 spun aluminum. Keyhole slots on top of upper reflector allow reflector to shift to gain access to ballast from below ceiling.

Reflector finished in High Reflectance White powder coat.

Lamp tilted 5° for optimal thermal performance.

#### trim

.05 spun aluminum parabolic reflector cone ensures glare-free optics.

Reflector provides 55-degree cut off to lamp and lamp image.

Trim attaches to housing via torsion springs.

Overlap trims are self-flanged, non-painted to match reflector finish. White painted flange may also be specified.

Optional .125" thick micro-prismatic glass lens obscures lamp.

#### electrical

Luminaires are pre-wired for single circuit with thermally protected Class "P" program start <10% THD electronic ballast.

Consult factory for dimming specifications and availability.

UL Listed.

One lamp triple tube compact fluorescent, 4-pin, 18W-(GX24q-2) or 26W-(GX24q-3).

Rotary lock socket allows for easy lamp removal and reduces lamp breakage.

Integral emergency battery test switch and indicator light in optic.

#### finish

Upper reflector finished in polyester powder coat over a 5-stage pre-treatment.

### housing ordering

<b>housing series</b>	<b>FC4D</b>	<u>FC4D</u>
ID CFL Round Housing	FC4D	
<b>lamp</b>		<u>          </u>
18W Triple Tube, GX24q-2	18TT	
26W Triple Tube, Gx24q-3	26TT	
<b>ballast</b>		<u>          </u>
Electronic Program Start <10% THD	S	
Electronic Dimming Ballast*	D	
<b>voltage</b>		<u>          </u>
120V	120	
277V	277	
347V	347	
<b>trim type</b>		<u>  R0  </u>
Round Overlap	R0	
<b>housing type</b>		<u>  T  </u>
Thermally Protected, Non-IC	T	
<b>factory options</b>		
Chicago Plenum	CP	
Emergency Battery Pack* (above the ceiling access only)	EM	<u>          </u>
HLR/GLR Fuse	FU	<u>          </u>
Include 3000K Lamp	L830	<u>          </u>
Include 3500K Lamp	L835	<u>          </u>
Include 4100K Lamp	L841	<u>          </u>

### trim ordering

<b>aperture</b>		<u>  D4  </u>
4.5" Round Aperture	D4	
<b>trim type</b>		<u>  R0  </u>
Round Overlap	R0	
<b>optic</b>		<u>          </u>
Downlight	DN	
Regress Lens	RL	
<b>color</b>		<u>          </u>
Clear Diffuse	CD	
Warm Diffuse	WD	
<b>flange finish</b>		<u>          </u>
Non-Painted, Self-flanged	NP	
White Painted	WP	

a complete unit consists of two line items, housing and trim  
example: FC4D-26TT-S-120-R0-T  
D4-R0-DN-CD-NP

\* for more information see Reference section.