

4.5" – wall wash

id[®]



CFL



Patent Pending

features

Unobtrusive 4.5" aperture.

Unique SmartShell™ optical design maximizes efficiency.

Tilted lamp position provides high-angle distribution.

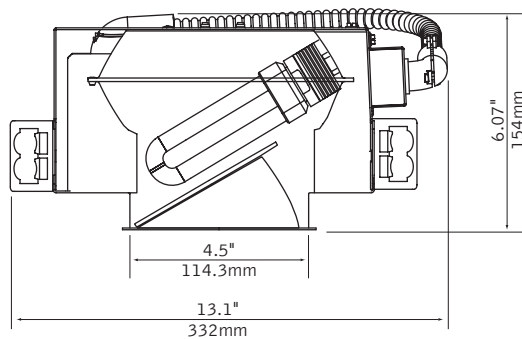
Self-flanged or painted trim provides a smooth transition to the ceiling.

Trim fits tightly to ceiling via torsion springs.

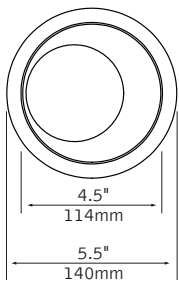
Accommodates ceilings up to 1" thick.

Diffuse reflectors offer glare control and 55-degree cut-off to lamp and its image.

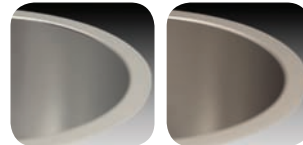
dimensional data



trim



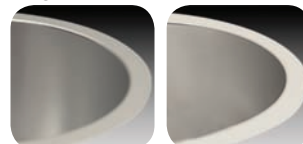
reflector colors



clear diffuse

warm diffuse

flange finish

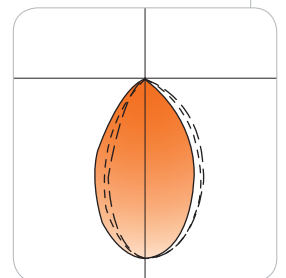


non-painted self-flanged

white painted

performance

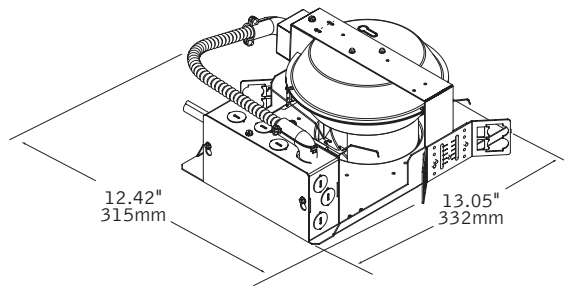
1-Lamp 26W Triple Tube
Wall Wash Optic, Clear Diffuse
27% Efficiency
417 cd @ 0°



Visit focalpointlights.com for complete photometric data.

fixture:
project:

details



specifications

housing

Frame may be installed into ceiling thicknesses up to 1". For thicker ceiling consult factory.
Butterfly brackets allow mounting to 1/2 emt, bar hangers may be specified as an accessory for wood installations.
Galvanized steel frame includes large Junction box 7" x 3.5" with (10) 1/2" pry outs. UL listed for through branch wiring, four #12 90°C conductors.
Thermally protected housing for new construction applications without direct contact with insulation. Insulation to be kept 3" away from housing.

upper reflector

Upper reflector constructed of .05 spun aluminum. Keyhole slots on top of upper reflector allow reflector to shift to gain access to ballast from below ceiling. Reflector finished in High Reflectance White powder coat.

trim

.05 spun aluminum parabolic reflector cone ensures glare-free optics. Reflector provides 55-degree cut off to lamp and lamp image. Trim attaches to housing via torsion springs. Overlap trims are self-flanged, non-painted to match reflector finish. White painted flange may also be specified.
.125" thick micro-prismatic glass lens obscures lamp.

electrical

Luminaires are pre-wired for single circuit with thermally protected Class "P" program start <10% THD electronic ballast. Consult factory for dimming specifications and availability. Suitable for Wet Location. UL and cUL Listed.
One lamp triple tube compact fluorescent, 4-pin, 18W-(GX24q-2) or 26W-(GX24q-3/4). Rotary lock socket allows for easy lamp removal and reduces lamp breakage. Integral emergency battery test switch and indicator light in optic.

finish

Upper reflector finished in polyester powder coat over a 5-stage pre-treatment.

housing ordering

housing series		<u>FC4W</u>
ID CFL Round Housing	FC4W	
lamp		
18W Triple Tube, GX24q-2	18TT	
26W Triple Tube, GX24q-3/4	26TT	
ballast		
Electronic Program Start <10% THD	S	
Electronic Dimming Ballast*	D	
voltage		
120V	120	
277V	277	
347V	347	
trim type		<u>R0</u>
Round Overlap	R0	
housing type		<u>T</u>
Thermally Protected, Non-IC	T	
factory options		
Bar Hangers	BH	
Chicago Plenum	CP	
Emergency Battery Pack* (above the ceiling access only)	EM	
HLR/GLR Fuse	FU	
Include 3000K Lamp	L830	
Include 3500K Lamp	L835	
Include 4100K Lamp	L841	

trim ordering

aperture		<u>D4</u>
4.5" Round Aperture	D4	
trim type		<u>R0</u>
Round Overlap	R0	
optic		<u>WW</u>
Lensed Wall Wash (Wet Listed)	WW	
color		
Clear Diffuse	CD	
Warm Diffuse	WD	
flange finish		
Non-Painted, Self-flanged	NP	
White Painted	WP	

a complete unit consists of two line items, housing and trim
example: FC4W-26TT-S-120-R0-T
D4-R0-WW-CD-NP

* for more information see Reference section.