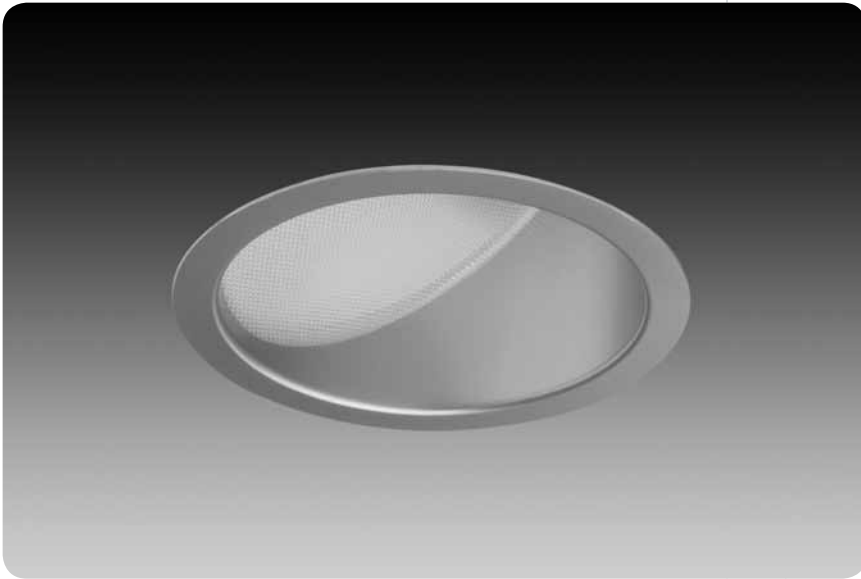


4.5" – wall wash

id®



CFL



Patent Pending

### features

Unobtrusive 4.5" aperture.

Unique SmartShell™ optical design maximizes efficiency.

Tilted lamp position provides high-angle distribution.

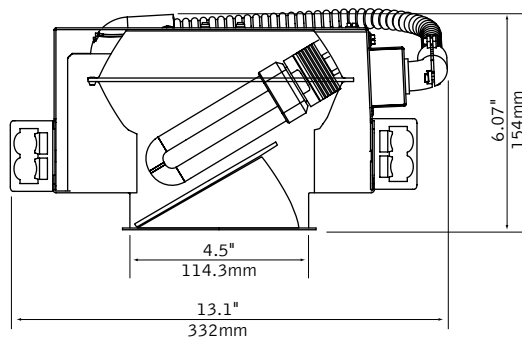
Self-flanged or painted trim provides a smooth transition to the ceiling.

Trim fits tightly to ceiling via torsion springs.

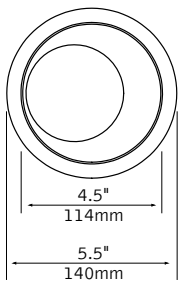
Accommodates ceilings up to 1" thick.

Diffuse reflectors offer glare control and 55-degree cut-off to lamp and its image.

### dimensional data



### trim



### reflector colors



clear diffuse



warm diffuse

### flange finish



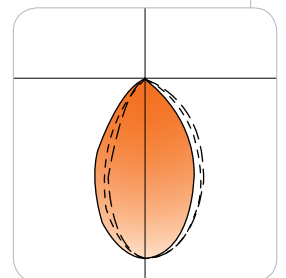
non-painted self-flanged



white painted

### performance

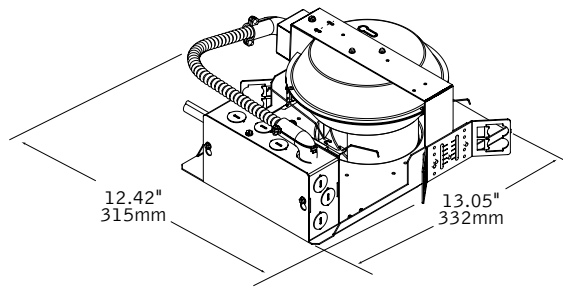
1-Lamp 26W Triple Tube  
Wall Wash Optic, Clear Diffuse  
27% Efficiency  
417 cd @ 0°



Visit [focalpointlights.com](http://focalpointlights.com) for complete photometric data.

fixture:  
project:

## details



## specifications

### housing

Frame may be installed into ceiling thicknesses up to 1". For thicker ceiling consult factory.  
Butterfly brackets allow mounting to ½ emt. Order bar hangers as an accessory.  
Galvanized steel frame includes large Junction box 7" x 3.5" with (10) 1/2" pry outs. UL listed for through branch wiring, four #12 90°C conductors.  
Thermally protected housing for new construction applications without direct contact with insulation. Insulation to be kept 3" away from housing.

### upper reflector

Upper reflector constructed of .05 spun aluminum. Keyhole slots on top of upper reflector allow reflector to shift to gain access to ballast from below ceiling.  
Reflector finished in High Reflectance White powder coat.

### trim

.05 spun aluminum parabolic reflector cone ensures glare-free optics.  
Reflector provides 55-degree cut off to lamp and lamp image.  
Trim attaches to housing via torsion springs.  
Overlap trims are self-flanged, non-painted to match reflector finish. White painted flange may also be specified.  
.125" thick micro-prismatic glass lens obscures lamp.

### electrical

Luminaires are pre-wired for single circuit with thermally protected Class "P" program start <10% THD electronic ballast.  
Consult factory for dimming specifications and availability.  
UL Listed.  
One lamp triple tube compact fluorescent, 4-pin, 18W-(GX24q-2) or 26W-(GX24q-3).  
Rotary lock socket allows for easy lamp removal and reduces lamp breakage.  
Integral emergency battery test switch and indicator light in optic.

### finish

Upper reflector finished in polyester powder coat over a 5-stage pre-treatment.

## housing ordering

<b>housing series</b>	<b>FC4W</b>
ID CFL Round Housing	FC4W
<b>lamp</b>	
18W Triple Tube, GX24q-2	18TT
26W Triple Tube, GX24q-3	26TT
<b>ballast</b>	
Electronic Program Start <10% THD	S
Electronic Dimming Ballast*	D
<b>voltage</b>	
120V	120
277V	277
347V	347
<b>trim type</b>	<b>R0</b>
Round Overlap	R0
<b>housing type</b>	<b>T</b>
Thermally Protected, Non-IC	T
<b>factory options</b>	
Chicago Plenum	CP
Emergency Battery Pack* (above the ceiling access only)	EM
HLR/GLR Fuse	FU
Include 3000K Lamp	L830
Include 3500K Lamp	L835
Include 4100K Lamp	L841

## trim ordering

<b>aperture</b>	<b>D4</b>
4.5" Round Aperture	D4
<b>trim type</b>	<b>R0</b>
Round Overlap	R0
<b>optic</b>	<b>WW</b>
Lensed Wall Wash	WW
<b>color</b>	
Clear Diffuse	CD
Warm Diffuse	WD
<b>flange finish</b>	
Non-Painted, Self-flanged	NP
White Painted	WP

a complete unit consists of two line items, housing and trim  
example: FC4W-26TT-S-120-R0-T  
D4-R0-WW-CD-NP

\* for more information see Reference section.