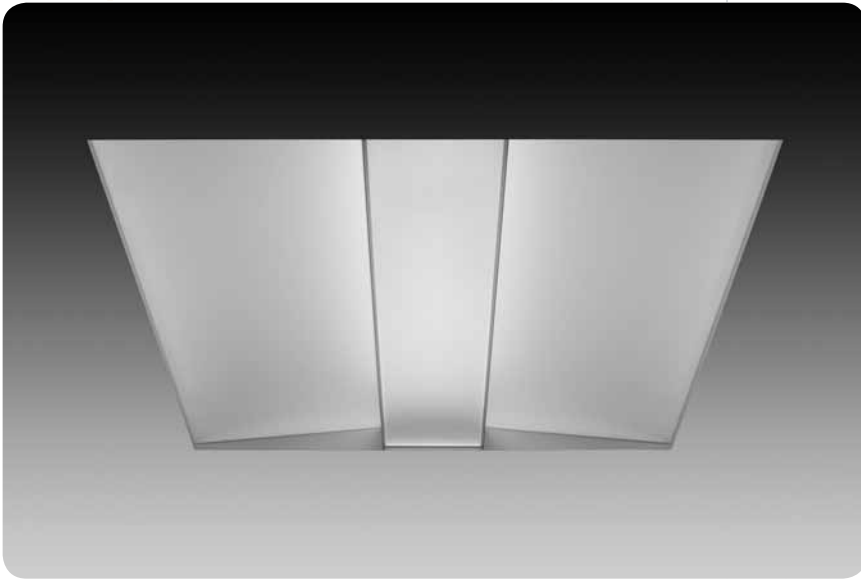


Armstrong® DC FlexZone™ Compatible  
**equation™ family**



**features**

Equation blends sleek aesthetics and uniform diffuse illumination while delivering high fixture efficiencies.

Now with EMerge Alliance® Registered options compatible with Armstrong DC FlexZone ceilings for plug-and-play flexibility in DC power applications.

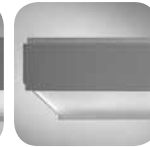
Center diffuser features MicroGlow™ prismatic lens technology. Precision molded conical prisms deliver 92% light transmission while controlling high angle brightness.

Patent pending QuickLatch™ hinged diffuser system makes relamping easy.

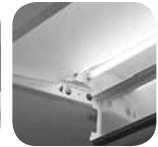
**shielding options & details**



natural anodized side rails

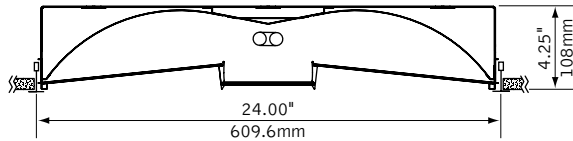


white painted side rails



QuickLatch™

**dimensional data**



**lampping options**

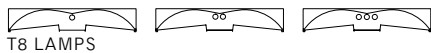
**2'x2'**



BIAx LAMPS



T5H0 LAMPS



T8 LAMPS

**2'x4'**



T5/T5H0 LAMPS

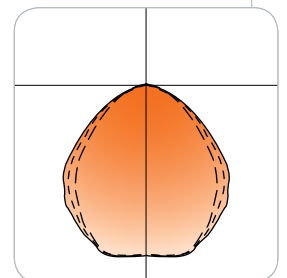
T5 LAMPS



T8 LAMPS

**performance**

2'x4' luminaire  
 1-Lamp T5H0  
 83% Efficiency  
 1703 cd @ 10°



Visit [focalpointlights.com](http://focalpointlights.com) for complete photometric data.

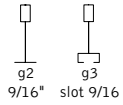


fixture:

project:

### mounting information

#### Armstrong® DC FlexZone™ compatible



### specifications

#### construction

One piece 20 Ga. Steel reflector and housing.  
 20 Ga. Steel ends form finishing housing.  
 Bottom access 20 Ga. Steel ballast compartment.  
 Earthquake brackets supplied as standard.

Weight:  
 2"x2": 17 lbs  
 2"x4": 29 lbs

#### optic

20 Ga. Steel reflectors finished in matte satin white powder coat.  
 .080" thick frosted white acrylic diffusers.  
 .125" thick MicroGlow™ miniature prism acrylic lens and .120" thick linear spread lens retained with side rails available in natural anodized aluminum or Matte Satin White.

#### electrical

Class 2 low voltage DC ballasts have a Class "P" rating.  
 UL Listed.  
 Ballast Factors:

- 0.78 - 54W T5H0 & 55W Biax
- 0.75 - 32W T8 (2 lamp)
- 1.00 - all others

0-10V dimming standard.  
 Load cable assembly connects fixture to low voltage bus bar.

#### finish

Polyester powder coat applied over a 5-stage pre-treatment.



ordering		<u>FEQ</u>
<b>luminaire series</b>		<u>FEQ</u>
Equation	FEQ	
<b>nominal size</b>		_____
2' x 2'	22	
2' x 4'	24	
<b>distribution</b>		<u>B</u>
Bi-Directional	B	
<b>lamp quantity</b>		_____
One Lamp	1	
Two Lamp	2	
Three Lamp	3	
(2x2 - T8 & T5H0, 2x4 - T8 & T5 only)		
<b>lamp type</b>		_____
40 Watt Biax (2x2 only)	BX40	
55 Watt Biax (2x2 only)	BX55	
T5 (2x4 only)	T5	
T5H0 (2x4 - 1-lamp only)	T5H0	
T8	T8	
<b>ballast</b>		<u>DCF</u>
DC 0-10V Dimming Ballast	DCF	
<b>voltage</b>		<u>24</u>
24 Volt	24	
<b>mounting</b>		_____
DC Suprafine® 9/16" Grid	G2	
DC Silhouette® 9/16" Slot Tee	G3	
<b>shielding</b>		_____
Natural Anodized Side Rails	AL	
White Painted Side Rails	WP	
<b>factory options</b>		_____
Air Return (Overall height with Air Return is 4.90")	AR	
Include 3000K Lamp*	L830	
Include 3500K Lamp*	L835	
Include 4100K Lamp*	L841	
<b>finish</b>		<u>WH</u>
Matte Satin White	WH	

\* for more information see Reference section.

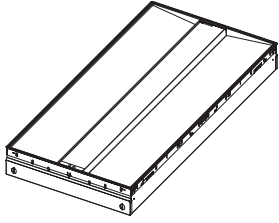
# Equation™ Armstrong® DC FlexZone™ compatible

FEQ 22 | 24



FOCAL POINT®

FOCAL POINT



OTHERS



KEY



POWER OFF



ATTENTION



POWER ON

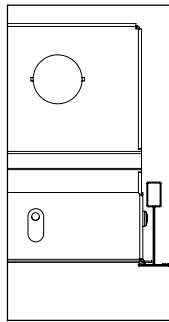


SEE ADDITIONAL INSTRUCTIONS

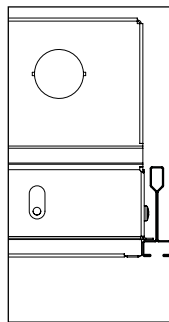
## RAIL GUIDE



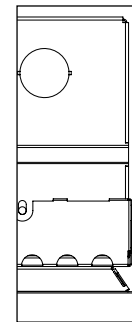
CHECK RAIL POSITION BEFORE INSTALLATION



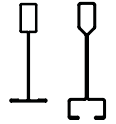
G2



G3

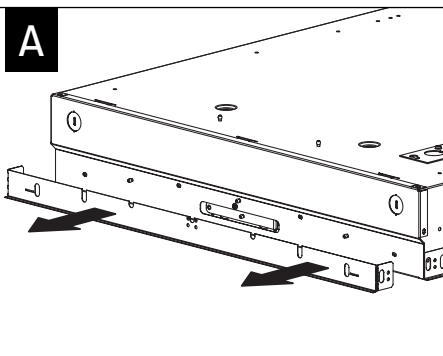


AR

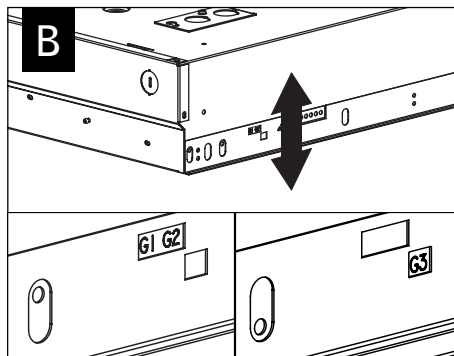


## FIELD CHANGE INSTRUCTIONS

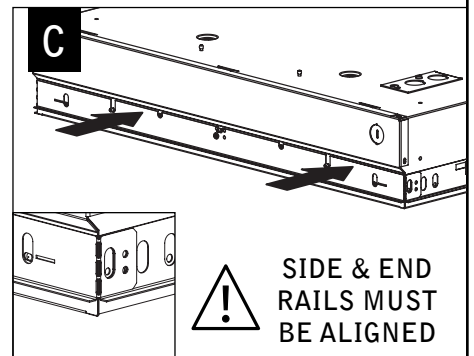
A



B



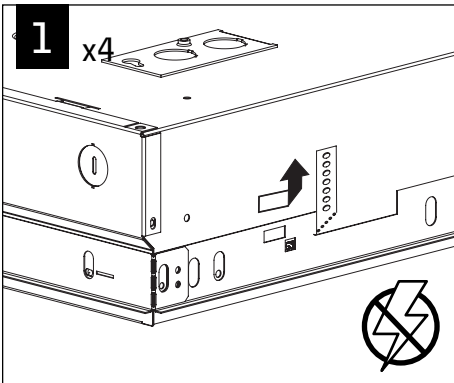
C



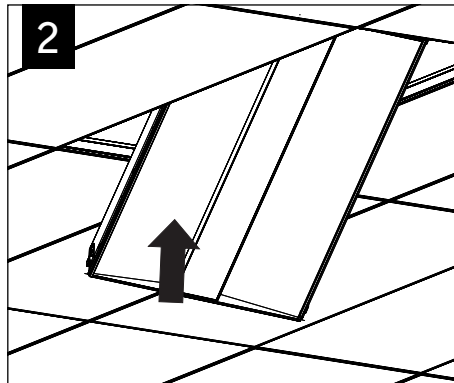
SIDE & END RAILS MUST BE ALIGNED

1

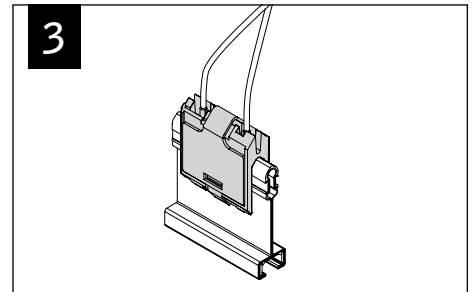
x4



2

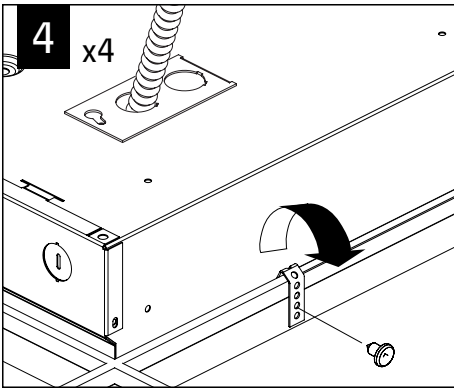


3



ATTACH TYCO CONNECTOR (SUPPLIED) TO DC POWERED MAIN TEE

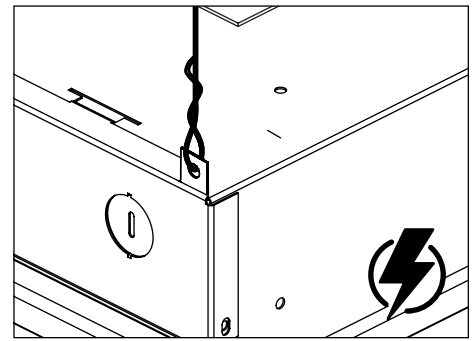
Luminaires must be installed by a qualified electrician (check with local and national codes for proper installation).  
To prevent electrical shock, disconnect electrical supply before installation or servicing.



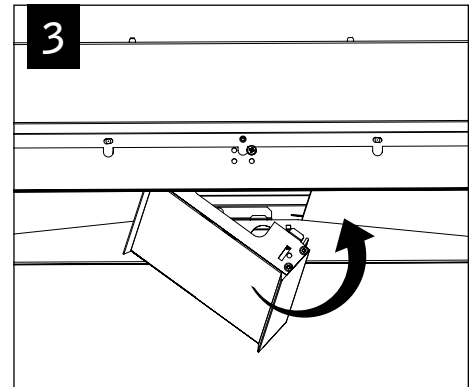
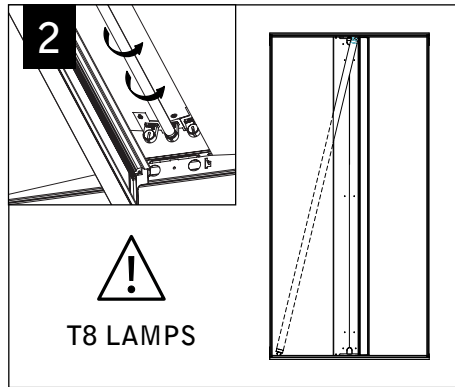
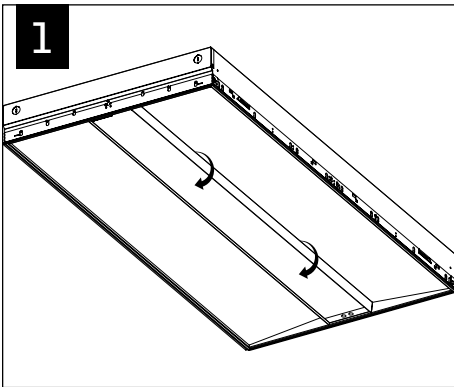
INSULATORS (SUPPLIED) MUST BE PLACED BETWEEN SEISMIC BRACKETS AND DC MAIN TEE.

ATTACH SCREW TO WEB OF DC MAIN TEE, NOT BULB.

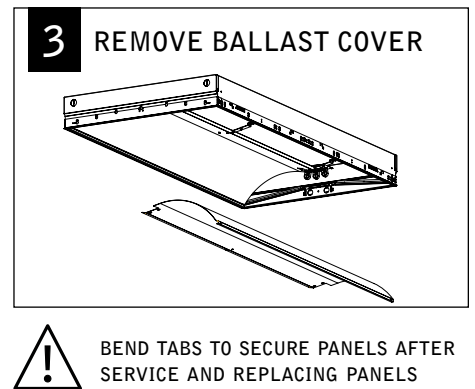
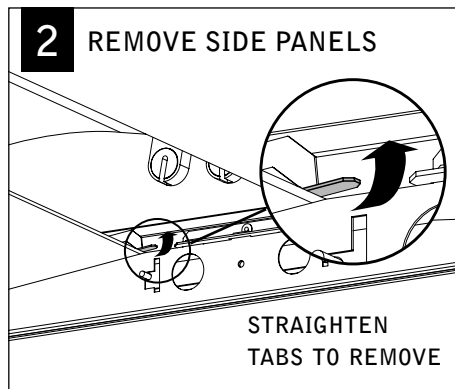
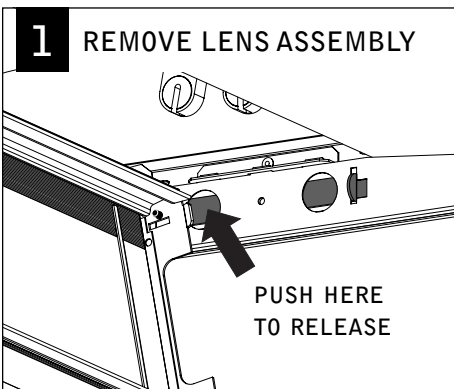
OPTIONAL



LAMPING



BALLAST SERVICE



Contractor is responsible for adequately reinforcing walls and/or ceilings to support luminaire weight. Focal Point, LLC accepts no responsibility for inadequately reinforced walls and/or ceilings. The information contained in this drawing is the sole property of Focal Point, LLC. Any reproduction in part or whole without the written permission of Focal Point, LLC is prohibited.