

wall mounted
etch™



features

Wall Mounted linear 1-lamp T5, T5H0 or T8 fluorescent luminaire.

Minimal rectilinear profile with MicroGlow Lens, Baffle or Solid Indirect creates sleek aesthetic.

Luminaire provides indirect illumination above with a soft glow below.

shielding options



MicroGlow lens

baffle

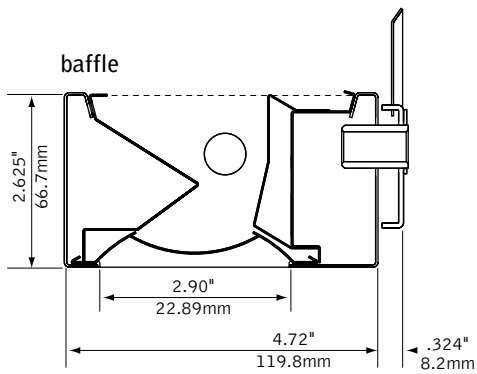
solid indirect

companion

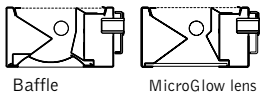


suspended

dimensional data



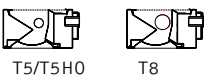
shielding



Baffle

MicroGlow lens

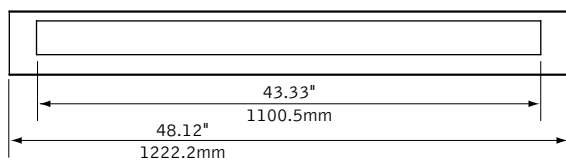
lamping



T5/T5H0

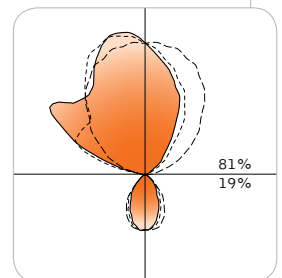
T8

details



performance

MicroGlow Lens
1-Lamp T5
85% Efficiency
922cd @ 170°

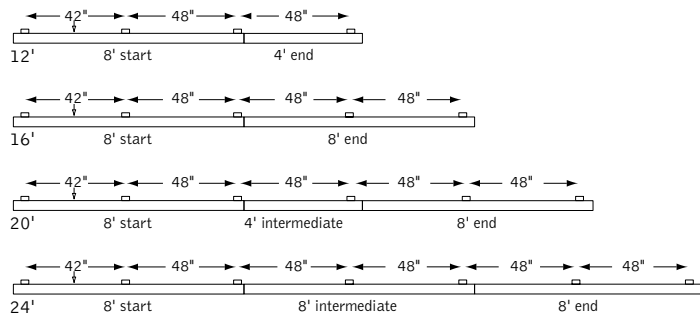


Visit focalpointlights.com for complete photometric data.

fixture:

project:

mounting information



†Power feed location is 21" from left mounting bracket.

Consult factory for additional row length information.

specifications

construction

One-piece, 20 Ga. steel housing.
20 Ga. ballast channel.
16 Ga. internal bulkhead.
14 Ga. steel end caps.

All luminaires are provided with single point aircraft cable suspension mounted on 48" and 96" centers.

4' unit weight: 15 lbs
8' unit weight: 28 lbs

optic

22 Ga. reflector finished in high reflectance white.
MicroGlow Lens: 0.125" thick MicroGlow miniature prism acrylic lens with 0.20" thick linear spread lens.
Parallel Blade Baffle: 25. Ga. Steel, 0.5"H x 2.8"W x 0.56" frequency.

electrical

Luminaires are pre-wired with factory installed branch circuit wiring and over-molded quick connects.
Electronic ballasts are thermally protected and have a Class "P" rating.
Consult factory for dimming specifications and availability.
UL and cUL listed.

sensors

Lutron daylight sensor is a directional sensor that operates with a Lutron EcoSystem (DB) or H-Series (DK) ballast and control system. The sensor has an integrated IR receiver for EcoSystem programming.
Philips Luxsense daylight sensor measures reflected light from the surface below and dims lamp output when the light level exceeds required level. Output may be adjusted by turning the dial. A 0-10V dimming ballast is required (T5/T8 - DS, T5HO - D7 standard).
Wattstopper daylight sensor is a closed loop system that measures total light level from daylight and electric light. A 0-10V dimming ballast is required (T5/T8 - DS, T5HO - D7 standard).

Wattstopper occupancy sensor is a passive infrared sensor designed for cubicles and small offices. It has built-in daylight sensing that will hold lights off when adequate ambient light exists. One sensor controls multiple fixtures.

finish

Polyester powder coat applied over a 5-stage pre-treatment.

ordering

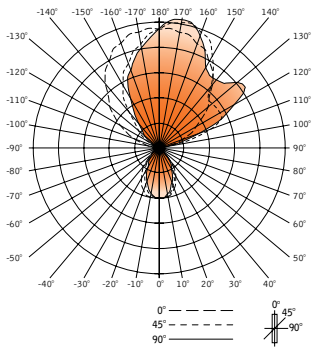
luminaire series	FETW
Etch	FETW
shielding	_____
MicroGlow Lens	M1
Parallel Blade Baffle	PB
Solid Indirect	SD
lampping	_____
One Lamp T8	1T8
One Lamp T5	1T5
One Lamp T5HO	1T5HO
circuits	1C
Single Circuit	1C
voltage	_____
120 Volt	120
277 Volt	277
347 Volt	347
ballast	_____
Electronic Instant Start <20% THD (T8 only)	E
Electronic Program Start <10% THD	S
Electronic Dimming Ballast*	D
mounting	WM
Wall Mount	WM
factory options	_____
Clear Acrylic Dust Cover	DC
Emergency Circuit*	EC
Emergency Battery Pack*	EM
HLR/GLR Fuse	FU
Include 3000K Lamp*	L830
Include 3500K Lamp*	L835
Include 4100K Lamp*	L841
Lutron™ Daylight Sensor* (EcoSystem/H-Series ballast & controls required)	LY1
Lutron™ Sensor Feed* (EcoSystem ballast & controls required)	SF
Philips® Daylight Sensor* (0-10V dimming ballast required)	PY1
WattStopper™ Daylight Sensor* (0-10V dimming ballast required)	WY1
WattStopper™ Occupancy Sensor*	WO1
finish	_____
Matte White Housing	WH
Titanium Silver	TS
luminaire length	_____
4' Nominal Housing	4'
8' Nominal Housing	8'
12' (8'+4')	12'
16' (8'+8')	16'
20' (8'+4'+8')	20'
24' (8'+8'+8')	24'
(Consult factory for additional lengths)	
remotes	_____
(specify quantity)	
WattStopper™ Daylight Setup Remote* (required for daylight programming, one included per order)	WYSR
WattStopper™ Occupant Controller*	WOR

* for more information see Reference section.

wall mount
etch™

Filename: FETWM11T5.IES
 Catalog #: FETW-M1-1T5-1C-120-WM-WH-4
 Efficiency: 85.4%
 Test #: 16464.0

CANDLEPOWER DISTRIBUTION



Vertical Angle	0°	45°	90°	135°	180°	Zonal Lumens
0°	354	354	354	354	354	
5°	357	360	360	354	350	34
15°	316	333	345	316	294	92
25°	238	261	288	238	207	118
35°	163	189	207	162	126	110
45°	88	97	94	70	57	67
55°	43	43	34	31	21	32
65°	25	22	15	12	12	17
75°	15	15	9	6	4	9
85°	6	6	0	1	0	3
90°	0	0	0	0	0	
95°	6	7	16	15	21	16
105°	138	219	111	15	25	114
115°	492	495	246	33	25	227
125°	748	497	390	133	63	320
135°	647	494	510	234	166	330
145°	628	674	665	450	307	352
155°	772	847	772	594	534	329
165°	915	909	830	707	663	229
175°	905	886	850	809	781	81
180°	841	841	841	841	841	

LUMEN SUMMARY

Zone	Lumens	% Lamp	% Fixt	
0°-30°	244	8.4	9.8	
0°-90°	481	16.6	19.4	
90°-130°	677	23.3	27.3	
90°-180°	1997	68.9	80.6	
Total Luminaire	0°-180°	2478	85.4	100.0

CO-EFFICIENTS OF UTILIZATION

RCR 0	Floor		Ceiling		Wall		20		30		10		00	
	70	50	30	10	70	50	10	50	10	50	10	50	10	00
1	78	75	72	69	69	66	62	50	47	36	34	22	21	15
2	72	66	61	57	63	59	51	45	40	35	29	20	19	14
3	66	59	53	48	58	52	44	40	34	29	25	18	17	12
4	60	52	45	41	53	47	38	36	30	26	22	17	15	11
5	56	47	41	36	49	42	33	32	26	24	20	16	14	10
6	51	42	36	32	46	38	29	29	23	22	18	14	12	9
7	48	38	32	28	42	34	25	27	21	20	16	13	11	9
8	44	35	29	25	39	31	23	25	18	18	14	12	10	8
9	41	32	26	22	37	9	20	22	16	17	13	11	9	7
10	39	29	24	20	34	26	18	21	15	15	11	10	8	6

Numbers indicate percentage values of reflectivity.

Go to www.focalpointlights.com for additional photometric data.