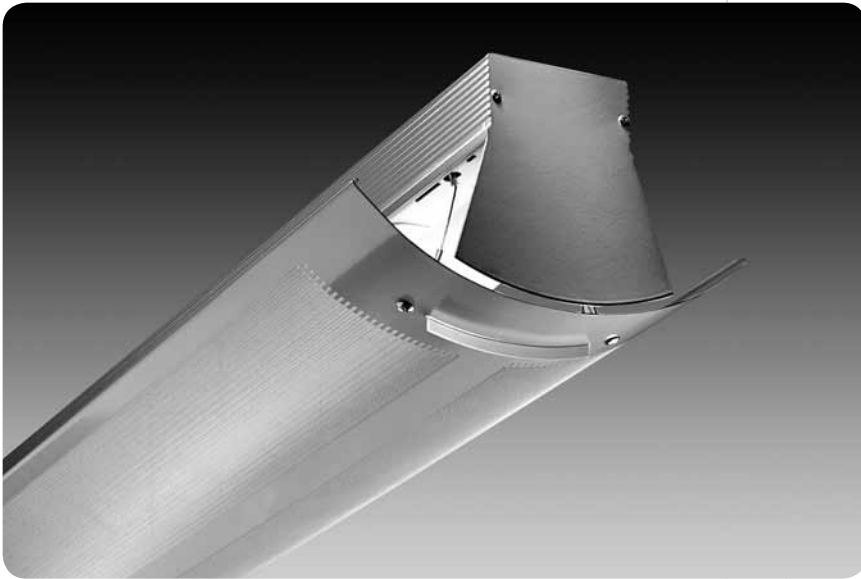


tab & spine
evolution™



features

Suspended or surface linear direct/indirect fluorescent with perforated shielding.

Ribbed aluminum housing creates distinctive aesthetic.

Perforated shield includes micro-perforations for soft illumination

Visible lamps and sockets create an industrial aesthetic.

shielding options

tab



blue

green

clear

spine



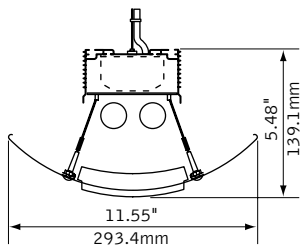
blue

green

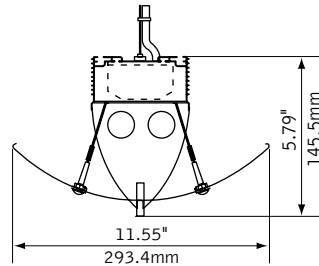
clear

dimensional data

tab

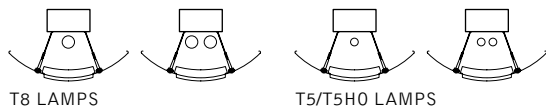


spine

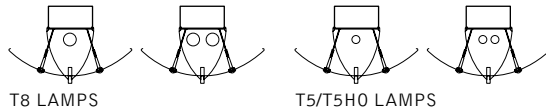


lampping options

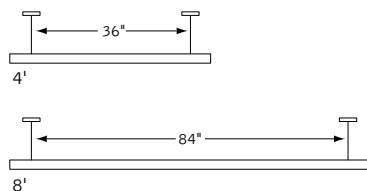
tab



spine

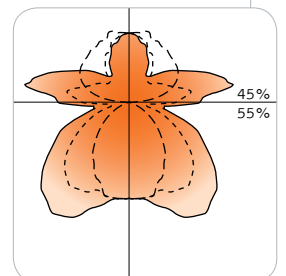


fixture information



performance

Acrylic Blue Tab
 2-Lamp T8
 41% Efficiency
 477 cd @ 35°

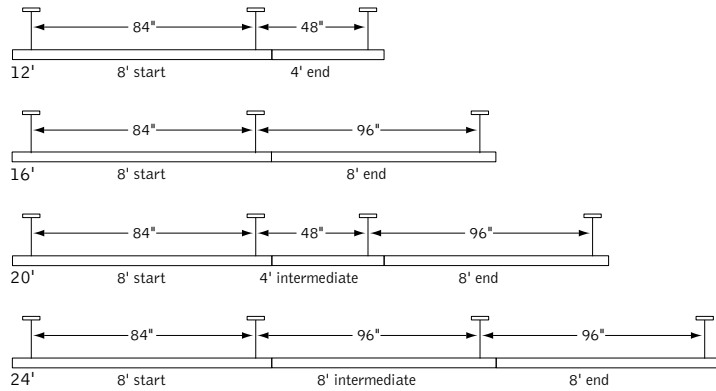


Visit focalpointlights.com for complete photometric data.

fixture:

project:

suspension information



Consult factory for additional row length information.

specifications

construction

One-piece, .090" thick channel housing of 6063-T6 extruded aluminum. 22 Ga. steel ballast cover allows for easy access to ballast. Tab or Spine acrylic insert are mechanically attached to perforated shield. For row installation, die-formed 18 Ga. steel internal coupler mechanically fastens to adjoining luminaires, forming hairline joint. All luminaires are provided with single point aircraft cable suspension.

4' unit weight: 13 lbs.
8' unit weight: 23 lbs.

optic

Tab and Spine shielding: two bands 5.75"W x 41.25"L round perforations with white acrylic insert. Round perforations are .0625" dia on .125" centers.

electrical

Luminaires are pre-wired with factory installed branch circuit wiring with over-molded quick connects. Factory installed SJT power cord at feed location is included. Electronic ballasts are thermally protected and have a Class "P" rating. Optional dimming ballasts available. UL and cUL listed.

finish

Polyester powder coat applied over a 5-stage pretreatment. Extruded aluminum channel, perforated shield and steel end caps are painted with powder coat paint finish Titanium Silver. Canopy finished in Matte Satin White.

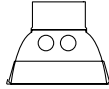
ordering

luminaire series		<u>FEVS</u>
Evolution	FEVS	_____
shielding		_____
Acrylic Blue Tab	BT	
Acrylic Green Tab	GT	
Acrylic Clear Tab	CT	
Acrylic Blue Spine	BS	
Acrylic Green Spine	GS	
Acrylic Clear Spine	CS	
lamping		_____
One Lamp T8	1T8	
One Lamp T5	1T5	
One Lamp T5H0	1T5H0	
Two Lamp T8	2T8	
Two Lamp T5	2T5	
Two Lamp T5H0	2T5H0	
circuits		_____
Single Circuit	1C	
Dual Circuit (Multiple lamp luminaires only)	2C	
voltage		_____
120 Volt	120	
277 Volt	277	
347 Volt	347	
ballast		_____
Electronic Instant Start <20% THD (T8 only)	E	
Electronic Program Start <10% THD	S	
Electronic Dimming Ballast*	D	
mounting		_____
24" Cable Suspension	C24	
48" Cable Suspension	C48	
96" Cable Suspension (Specify "J" in place of "C" for 5" dia. canopies at power feed and 2" dia canopies at non-feed locations) (Consult factory for sloped ceiling applications)	C96	
Ceiling Surface Mount	SM	
Stem Mount (specify stem length in inches Standard stem lengths 6, 12, 18, 24, 36, 48". White stems and canopies supplied standard. For non-white housings: to match stem and housing color, add M to ordering code (S12M). To match stem, canopy and housing color, add MC to ordering code (S12MC).)	S__	
factory options		_____
Emergency Circuit*	EC	
Emergency Battery Pack*	EM	
HLR/GLR Fuse	FU	_____
Include 3000K Lamp*	L830	_____
Include 3500K Lamp*	L835	_____
Include 4100K Lamp*	L841	_____
finish		<u>TS</u>
Titanium Silver	TS	
luminaire length		_____
4' Nominal Housing	4'	
8' Nominal Housing	8'	
12' (8'+4')	12'	
16' (8'+8')	16'	
20' (8'+4'+8')	20'	
24' (8'+8'+8')	24'	
(Longer run lengths available; consult factory for availability.)		

* for more information see Reference section.

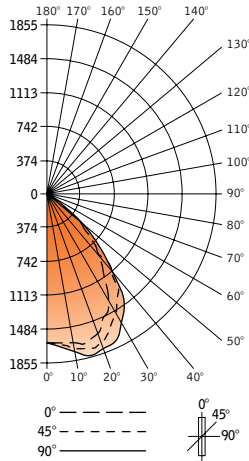
Focal Point LLC | 4141 S. Pulaski Rd, Chicago, IL 60632 | T: 773.247.9494 | F: 773.247.8484 | info@focalpointlights.com | www.focalpointlights.com. Focal Point LLC reserves the right to change specifications for product improvement without notification.

louver
evolution™



Filename: FEVSPL2T8.IES
 Catalog #: FEVS-PL-2T8-1C-120-E-C18-TS-4'
 Efficiency: 62%
 Test #: 8777.0

CANDLEPOWER DISTRIBUTION



Vertical Angle	Horizontal Angle				Zonal Lumens
	0°	22.5°	45°	67.5°	
0°	1667	1667	1667	1667	1667
5°	1660	1671	1686	1718	1723
15°	1654	1732	1796	1855	1865
25°	1464	1584	1703	1799	1821
35°	1210	1327	1456	1525	1511
45°	843	953	978	912	829
55°	193	272	357	296	243
65°	33	35	35	50	30
75°	10	10	13	18	20
85°	3	6	11	23	30
90°	0	5	13	30	37
95°	0	3	15	33	44
105°	1	6	22	42	52
115°	7	13	23	35	42
125°	12	16	23	28	33
135°	22	22	25	27	28
145°	38	28	30	30	19
155°	40	30	30	32	15
165°	42	38	34	32	10
175°	40	40	40	38	7
180°	40	40	40	40	4

Spacing 1.2
 Criterion: 1.4

LUMEN SUMMARY

Zone	Lumens	% Lamp	% Fixt
0°-30°	1446	25.4	41.0
0°-90°	3373	59.2	95.6
90°-130°	89	1.6	2.5
90°-180°	156	2.7	4.4
Total Luminaire	0°-180°		

LUMINANCE DATA (CD/M²)

Vertical Angle	0°	45°	90°
45°	6367	7387	6261
55°	1797	3324	2263
65°	417	442	379
75°	206	268	413
85°	184	674	1838

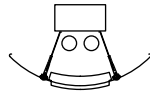
CO-EFFICIENTS OF UTILIZATION

Floor	80			70			20					
Ceiling	70	50	30	10	70	50	10	50	10	30	10	00
Wall	70	50	30	10	70	50	10	50	10	50	10	00
RCR 0	96	96	96	96	86	86	86	67	67	50	50	35
1												
2	88	85	81	79	79	76	71	60	57	46	44	32
3												
4	81	75	70	66	73	68	60	54	49	42	38	30
5												
6	75	67	61	56	67	61	52	49	43	38	34	28
7												
8	69	60	53	48	62	54	45	44	37	34	30	25
9												
10	64	54	47	42	57	49	39	40	33	31	26	23

Go to www.focalpointlights.com for additional photometric data.

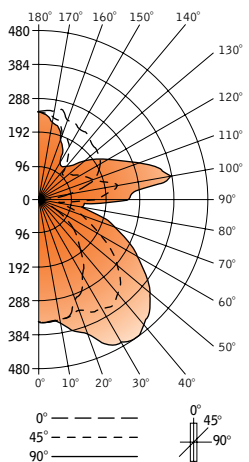
Numbers indicate percentage values of

tab & spine
evolution™



Filename: FEVSBT2T8.IES
 Catalog #: FEVS-BT-2T8-1C-120-E-C24-TS-4'
 Efficiency: 41%
 Test #: 11035.0

CANDLEPOWER DISTRIBUTION



Vertical Angle	Horizontal Angle				Zonal Lumens
	0°	22.5°	45°	67.5°	
0°	344	344	344	344	344
5°	346	346	346	346	33
15°	340	342	345	369	101
25°	288	289	351	423	166
35°	228	252	366	449	223
45°	154	205	327	410	240
55°	97	147	252	336	217
65°	43	76	169	250	164
75°	15	42	100	156	105
85°	0	34	61	112	74
90°	0	81	166	231	249
95°	13	96	193	246	270
105°	129	76	199	307	217
115°	186	73	148	229	168
125°	207	108	120	174	136
135°	217	163	97	129	110
145°	232	187	148	115	98
155°	243	213	193	171	162
165°	264	253	229	217	216
175°	252	250	249	244	243
180°	248	248	248	248	248

Spacing 1.2
 Criterion: 1.8

LUMEN SUMMARY

Zone	Lumens	% Lamp	% Fixt
0°-30°	299	5.1	12.4
0°-90°	1321	22.4	54.7
90°-130°	706	12.0	29.2
90°-180°	1094	18.5	45.3
Total Luminaire	0°-180°	40.9	100.0

LUMINANCE DATA (CD/M²)

Vertical Angle	0°	45°	90°
45°	594	964	1300
55°	461	832	1208
65°	27	656	1107
75°	158	490	882
85°	0	422	899

CO-EFFICIENTS OF UTILIZATION

Floor	80			70			20					
Ceiling	70	50	30	10	70	50	10	50	10	30	10	00
Wall	70	50	30	10	70	50	10	50	10	50	10	00
RCR 0	44	44	44	44	41	41	41	35	35	30	30	25
1	40	38	37	353	7	36	33	30	28	26	24	21
2	37	33	31	28	34	31	27	27	23	23	20	19
3	33329	26	24		31	27	22	23	20	20	17	17
4	30	26	22	20	28	24	19	21	17	18	14	15
5	28	23	19	17	26	21	16	18	14	16	12	13
6	25	20	17	14	24	19	14	16	12	14	11	12
7	23	18	15	13	22	17	12	15	10	13	09	11
8	22	16+	13	11	20	15	10	13	09	11	08	09
9	20	15	12	09	18	14	09	12	08	10	07	08
10	19	13	10	08	17	13	08	11	07	09	06	08

Go to www.focalpointlights.com for additional photometric data.

Numbers indicate percentage values of