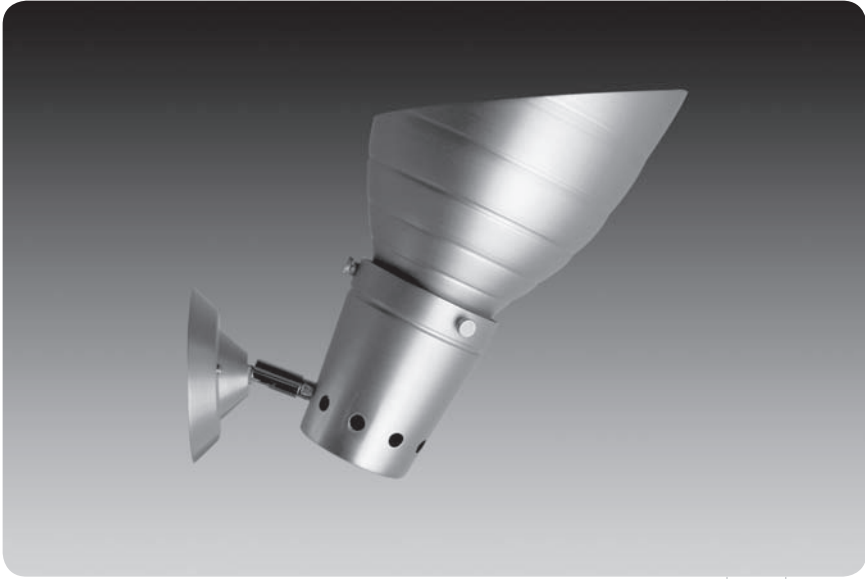


SCONCE

# groove™ a



## features

Wall mount decorative luminaire available with compact fluorescent or incandescent lamps.

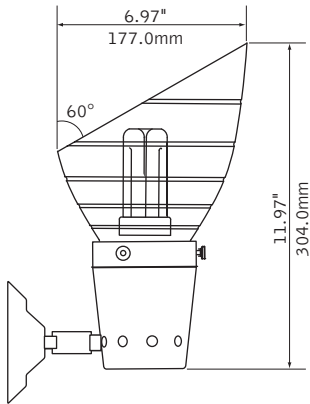
Housing, reflector and canopy are spun with high quality aluminum.

Matte interior surface of reflector controls lamp imaging while maintaining high efficiency.

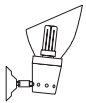
340° swivel mounting arm and 90° tilt adjustment allows precise light adjustment.

Ideally suited for retail, hospitality, lobbies, corridors, open ceiling areas and other specialty applications.

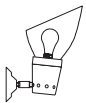
## dimensional data



## lamping options



18W & 26W TRIPLE TUBE



A15, A19 & A21 LAMPS

## details



decorative grooves



stepped canopy

## companion luminaire



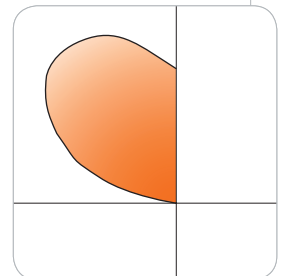
pendant

## performance

1-Lamp 18W Triple Tube

74.7% Efficiency

310 cd @ 145°



Visit [focalpointlights.com](http://focalpointlights.com) for complete photometric data.

july 2008 A

fixture:  
project:

## specifications

### construction

Housing and canopy are each one-piece precision-spun 14Ga., 3002-0 aluminum, (.063" min. thickness).

Housing: 5.51"H x 3.68"Dia.

Canopy: 1.32"H x 4.52"Dia. stepped design with (2), #8 screws for mounting canopy to junction box bracket.

340° horizontal adjustment and 90° vertical tilt swivel arm finished in polished chrome.

Weight: 4 lbs

### optic

14Ga., 3002-0 anodized aluminum reflector with diffuse satin matte surface for lamp image reduction.

### electrical

Luminaires are pre-wired for single circuit with thermally protected Class "P" electronic ballast.

incandescent:

Medium base porcelain socket.

For lamp types A15, A19 and A21, 100w. max.

fluorescent lamp:

Single lamp triple tube compact fluorescent, 4-pin, 18w.-(GX24q-2) or 26w.-(GX24q-3/4).

UL and cUL listed.

### finish

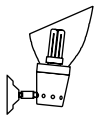
Luminaire housing, reflector and canopy are clear anodized with polished satin finish.

Reflector interior has matte diffuse finish.

## ordering

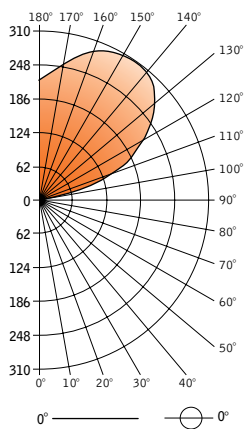
<b>luminaire series</b>		<u>FGR</u>
Groove	FGR	
<b>profile</b>		<u>A</u>
Profile	A	
<b>lamp quantity</b>		<u>1</u>
One Lamp	1	
<b>lamp type</b>		<u>          </u>
18W Triple Tube, GX24q-2	18TT	
26W Triple Tube, GX24q-3/4	26TT	
120V Only, 60W Max., A15-Med	A15	
20V Only, 100W Max., A19-Med	A19	
120V Only, 100W Max., A21-Med	A21	
<b>voltage</b>		<u>          </u>
120 Volt	120	
277 Volt	277	
<b>ballast</b>		<u>E</u>
Electronic<15% THD (Leave blank for Incandescent)	E	
<b>mounting</b>		<u>WM</u>
Wall Mount	WM	
<b>factory options</b>		<u>          </u>
Include 3000K Lamp	L830	
Include 4000K Lamp	L835	
Include 4100K Lamp (fluorescent lamps only)	L841	
<b>finish</b>		<u>NA</u>
Natural Anodized	NA	

groove™ a



Filename: FGRA118TT.IES  
 Catalog #: FGR-A-1-18TT-E-120-WM-NA  
 Efficiency: 74.7%

CANDLEPOWER DISTRIBUTION



Vertical Angle	Horizontal Angle 0°	Zonal Lumens
0°	0	
5°	2	13.4
15°	17	43.2
25°	67	89.0
35°	159	143.4
45°	255	182.5
55°	310	180.1
65°	307	138.3
75°	284	80.4
85°	272	26.0
90°	270	

LUMEN SUMMARY

Zone	Lumens	% Lamp	% Fixt	
90°-120°	145.6	12.1	16.2	
90°-130°	289.0	24.1	32.2	
90°-150°	651.6	54.3	72.7	
Total	90°-180°	896.3	74.7	100.0
Luminaire	0°-180°	896.3	74.7	100.0