

groove™ g



features

Pendant mount decorative luminaire available with compact fluorescent or incandescent lamps

Housing and canopy are high quality spun aluminum with acrylic refractor.

Ideally suited for retail, hospitality, lobbies, corridors, open ceiling areas and other specialty applications.

refractor options



white prismatic

clear prismatic with metallized interior

clear prismatic

options



frosted green diffusion disk

frosted white diffusion disk

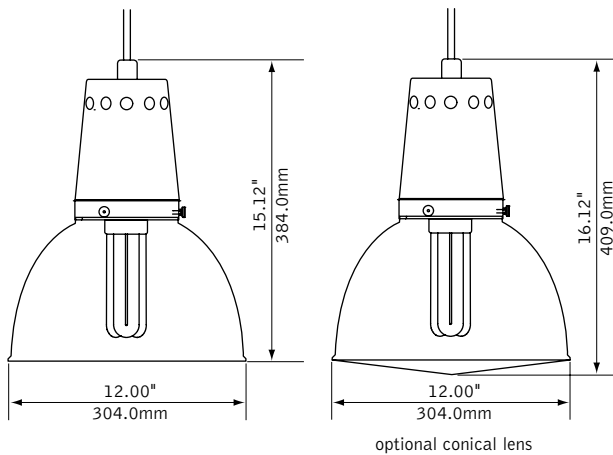
conical lens

companion luminaire

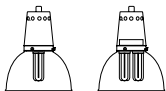


sconce

dimensional data



lamping options



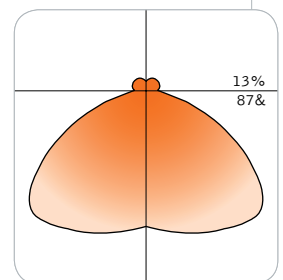
32W & 42W TRIPLE TUBE



A, BR, G, R & PS LAMPS

performance

1-Lamp 42W Triple Tube
86% Efficiency
652 cd @ 35°



Visit focalpointlights.com for complete photometric data.

fixture:

project:

specifications

construction

Housing and canopy are each one-piece precision-spun 14Ga., 3002-0 aluminum, (.063" min. thickness).

Housing: 7.62"H x 12" Dia.

Canopy: 1.32"H x 4.52" Dia. stepped design with #8-32 recessed set screw.

weight: 10 lbs

optic

Molded acrylic prismatic refractor: 7.47"H x 12.00"Dia. aperture with fluted pattern.

Optional frosted green or white acrylic diffusion disk with polished edges is retained by aluminum fasteners and (3) #8-32 thumb screws.

Optional conical lens with stainless steel clamp band.

electrical

Luminaires are pre-wired for single circuit with thermally protected Class "P" electronic ballast.

Factory installed decorative metal braided power cord is included.

White SJT power cord supplied for 347V.

144" cord is provided on all luminaires and may be cut to length in field.

Incandescent:

Medium base porcelain socket.

For lamp types A, BR, G, R, and PS types.

Fluorescent Lamp:

One or two lamp triple tube compact fluorescent, 4-pin, 32W/42W (GX24q-3/4).

Optional dimming ballasts available.

Consult factory for specifications and availability.

UL and cUL listed.

finish

Luminaire housing and canopy are clear anodized with polished satin finish.

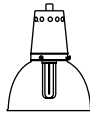
ordering

luminaire series		FGR
Groove	FGR	
profile		G
Profile	G	
shielding		
Clear Prismatic Refractor	C	
Clear Prismatic Refractor with Metallized Interior	M	
White Prismatic Refractor (Contact factory for additional reflector colors)	W	
lamp quantity		
One Lamp	1	
Two Lamp (CFL only)	2	
lamp type		
32w. Triple Tube, GX24q-3/4	32TT	
42w. Triple Tube, GX24q-3/4	42TT	
120V Only, 60W Max., A15-Med	A15	
120V Only, 100W Max., A19-Med	A19	
120V Only, 100W Max., A21-Med	A21	
120V Only, 200W, A23-Med	A23	
120V Only, 60W, G25-Med	G25	
120V Only, 60W, G30-Med	G30	
120V Only, 150W, G40-Med	G40	
120V Only, 65W, BR30-Med	BR30	
120V Only, 125W, BR40-Med	BR40	
120V Only, 50W, R20-Med	R20	
120V Only, 75W, R25-Med	R25	
120V Only, 110W, R30-Med	R30	
120V Only, 300W, R40-Med	R40	
120V Only, 300W, PS25-Med	PS25	
120V Only, 300W, PS30-Med (Consult factory for wattages not listed)	PS30	
ballast		
Electronic Program Start<10% THD	S	
Electronic Dimming Ballast* (Fluorescent lamps only)	D	
voltage		
120 Volt	120	
277 Volt	277	
347 Volt	347	
suspension		C144
Cable, Straight Feed (144" cable, cut in field)	C144	
factory options		
Frosted Green Diffusion Disk	GD	
Frosted White Diffusion Disk	WD	
Conical Lens (Conical lens not available with 2-lamp dimming) (Fluorescent lamps only)	CL	
Include 3000K Lamp	L830	
Include 3500K Lamp	L835	
Include 4100K Lamp (fluorescent lamps only)	L841	
finish		NA
Natural Anodized (contact factory for paint color options)	NA	

* for more information see Reference section.

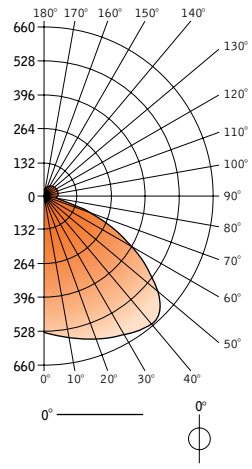
Focal Point LLC | 4141 S. Pulaski Rd, Chicago, IL 60632 | T: 773.247.9494 | F: 773.247.8484 | info@focalpointlights.com | www.focalpointlights.com. Focal Point LLC reserves the right to change specifications for product improvement without notification.

groove™ g



Filename: FGRGW142.IES
 Catalog #: FGR-G-W-1-42TT-S-120-C144-NA
 Efficiency: 86%
 Test #: 12129.0

CANDLEPOWER DISTRIBUTION



Spacing 1.8
 Criterion: 1.3

Vertical Angle	Horizontal Angle	Zonal Lumens
0°	0°	540
5°		552
15°		588
25°		618
35°		652
45°		651
55°		508
65°		320
75°		144
85°		58
90°		45
95°		48
105°		54
115°		57
125°		59
135°		57
145°		58
155°		55
165°		50
175°		42
180°		37

LUMEN SUMMARY

Zone	Lumens	% Lamp	% Fixt
0°-30°	505	15.8	18.4
0°-90°	2408	75.2	87.5
90°-130°	219	6.8	7.9
90°-180°	343	10.7	12.5
Total Luminaire	2751	86.0	100.0

LUMINANCE DATA (CD/M²)

Vertical Angle	0°
45°	6742
55°	5484
65°	3729
75°	1885
85°	886

CO-EFFICIENTS OF UTILIZATION

Floor	80	70	50	30	10	00
Ceiling	80	70	50	30	10	00
Wall	70 50 30 10	70 50 10	50 10	50 10	50 10	00
RCR 0	100100100100	96 96 96	90 90	83 83	78 78	75
1	91 87 84 80	88 84 78	79 74	74 70	69 66	63
2	83 76 71 66	80 74 64	69 61	65 58	61 55	53
3	76 67 60 55	73 65 54	61 51	57 49	54 47	45
4	69 59 52 46	66 57 45	54 43	51 42	48 40	38
5	63 52 44 38	60 50 38	47 36	44 35	42 34	31
6	57 46 38 33	55 44 32	42 31	39 30	37 29	27
7	52 41 33 28	50 39 27	37 26	35 25	33 24	23
8	48 36 29 24	46 35 23	33 22	31 21	29 21	19
9	44 32 25 20	42 31 20	29 19	28 18	26 17	16
10	41 29 22 17	39 28 17	26 16	25 16	23 15	14

Numbers indicate percentage values of

Go to www.focalpointlights.com for additional photometric data.