

# groove™ g



## features

Pendant mount decorative luminaire available with compact fluorescent or incandescent lamps

Housing and canopy are high quality spun aluminum with acrylic refractor.

Ideally suited for retail, hospitality, lobbies, corridors, open ceiling areas and other specialty applications.

## refractor options



white prismatic

clear prismatic with metallized interior

clear prismatic

## options



frosted green diffusion disk

frosted white diffusion disk

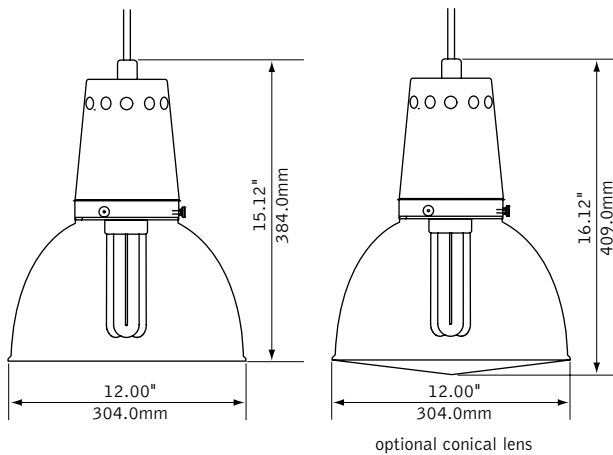
conical lens

## companion luminaire

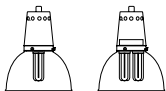


sconce

## dimensional data



## lamping options



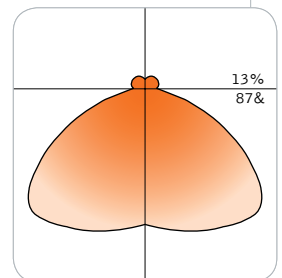
32W & 42W TRIPLE TUBE



A, BR, G, R & PS LAMPS

## performance

1-Lamp 42W Triple Tube  
86% Efficiency  
652 cd @ 35°



Visit [focalpointlights.com](http://focalpointlights.com) for complete photometric data.

fixture:

project:

### specifications

#### construction

Housing and canopy are each one-piece precision-spun 14Ga., 3002-0 aluminum, (.063" min. thickness).

Housing: 7.62"H x 12" Dia.

Canopy: 1.32"H x 4.52" Dia. stepped design with #8-32 recessed set screw.

weight: 10 lbs

#### optic

Molded acrylic prismatic refractor: 7.47"H x 12.00"Dia. aperture with fluted pattern.

Optional frosted green or white acrylic diffusion disk with polished edges is retained by aluminum fasteners and (3) #8-32 thumb screws.

Optional conical lens with stainless steel clamp band.

#### electrical

Luminaires are pre-wired for single circuit with thermally protected Class "P" electronic ballast.

Factory installed decorative metal braided power cord is included.

White SJT power cord supplied for 347V.

144" cord is provided on all luminaires and may be cut to length in field.

#### Incandescent:

Medium base porcelain socket.

For lamp types A, BR, G, R, and PS types.

#### Fluorescent Lamp:

One or two lamp triple tube compact fluorescent, 4-pin, 32W (GX24q-3) or 42W (GX24q-4).

Optional dimming ballasts available.

Consult factory for specifications and availability.

UL and cUL listed.

#### finish

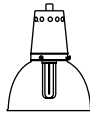
Luminaire housing and canopy are clear anodized with polished satin finish.

### ordering

luminaire series		FGR
Groove	FGR	
profile		G
Profile	G	
shielding		
Clear Prismatic Refractor	C	
Clear Prismatic Refractor with Metallized Interior	M	
White Prismatic Refractor (Contact factory for additional reflector colors)	W	
lamp quantity		
One Lamp	1	
Two Lamp (CFL only)	2	
lamp type		
32w. Triple Tube, GX24q-3	32TT	
42w. Triple Tube, GX24q-4	42TT	
120V Only, 60W Max., A15-Med	A15	
120V Only, 100W Max., A19-Med	A19	
120V Only, 100W Max., A21-Med	A21	
120V Only, 200W, A23-Med	A23	
120V Only, 60W, G25-Med	G25	
120V Only, 60W, G30-Med	G30	
120V Only, 150W, G40-Med	G40	
120V Only, 65W, BR30-Med	BR30	
120V Only, 125W, BR40-Med	BR40	
120V Only, 50W, R20-Med	R20	
120V Only, 75W, R25-Med	R25	
120V Only, 110W, R30-Med	R30	
120V Only, 300W, R40-Med	R40	
120V Only, 300W, PS25-Med	PS25	
120V Only, 300W, PS30-Med (Consult factory for wattages not listed)	PS30	
ballast		
Electronic Program Start<10% THD	S	
Electronic Dimming Ballast* (Fluorescent lamps only)	D	
voltage		
120 Volt	120	
277 Volt	277	
347 Volt	347	
suspension		C144
Cable, Straight Feed (144" cable, cut in field)	C144	
factory options		
Frosted Green Diffusion Disk	GD	
Frosted White Diffusion Disk	WD	
Conical Lens (Conical lens not available with 2-lamp dimming) (Fluorescent lamps only)	CL	
Include 3000K Lamp	L830	
Include 3500K Lamp	L835	
Include 4100K Lamp (fluorescent lamps only)	L841	
finish		NA
Natural Anodized (contact factory for paint color options)	NA	

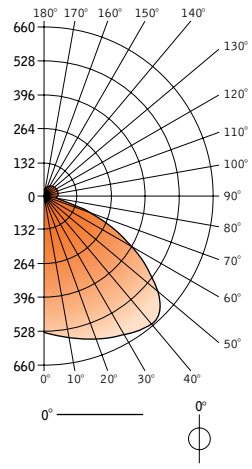
\* for more information see Reference section.

groove™ g



Filename: FGRGW142.IES  
 Catalog #: FGR-G-W-1-42TT-S-120-C144-NA  
 Efficiency: 86%  
 Test #: 12129.0

CANDLEPOWER DISTRIBUTION



Spacing 1.8  
 Criterion: 1.3

Vertical Angle	Horizontal Angle 0°	Zonal Lumens
0°	540	
5°	552	53
15°	588	167
25°	618	286
35°	652	409
45°	651	504
55°	508	456
65°	320	318
75°	144	153
85°	58	63
90°	45	
95°	48	52
105°	54	57
115°	57	57
125°	59	53
135°	57	44
145°	58	36
155°	55	26
165°	50	14
175°	42	4
180°	37	

LUMEN SUMMARY

Zone	Lumens	% Lamp	% Fixt
0°-30°	505	15.8	18.4
0°-90°	2408	75.2	87.5
90°-130°	219	6.8	7.9
90°-180°	343	10.7	12.5
<b>Total Luminaire</b>	<b>2751</b>	<b>86.0</b>	<b>100.0</b>

LUMINANCE DATA (CD/M<sup>2</sup>)

Vertical Angle	0°
45°	6742
55°	5484
65°	3729
75°	1885
85°	886

CO-EFFICIENTS OF UTILIZATION

Floor	80	70	50	30	10	00								
Ceiling														
Wall	70	50	30	10	50	10	00							
RCR 0	100	100	100	100	83	83	78	78	75					
1	91	87	84	80	88	84	78	79	74	69	66	63		
2	83	76	71	66	80	74	64	69	61	65	58	61	55	53
3	76	67	60	55	73	65	54	61	51	57	49	54	47	45
4	69	59	52	46	66	57	45	54	43	51	42	48	40	38
5	63	52	44	38	60	50	38	47	36	44	35	42	34	31
6	57	46	38	33	55	44	32	42	31	39	30	37	29	27
7	52	41	33	28	50	39	27	37	26	35	25	33	24	23
8	48	36	29	24	46	35	23	33	22	31	21	29	21	19
9	44	32	25	20	42	31	20	29	19	28	18	26	17	16
10	41	29	22	17	39	28	17	26	16	25	16	23	15	14

Numbers indicate percentage values of

Go to [www.focalpointlights.com](http://www.focalpointlights.com) for additional photometric data.