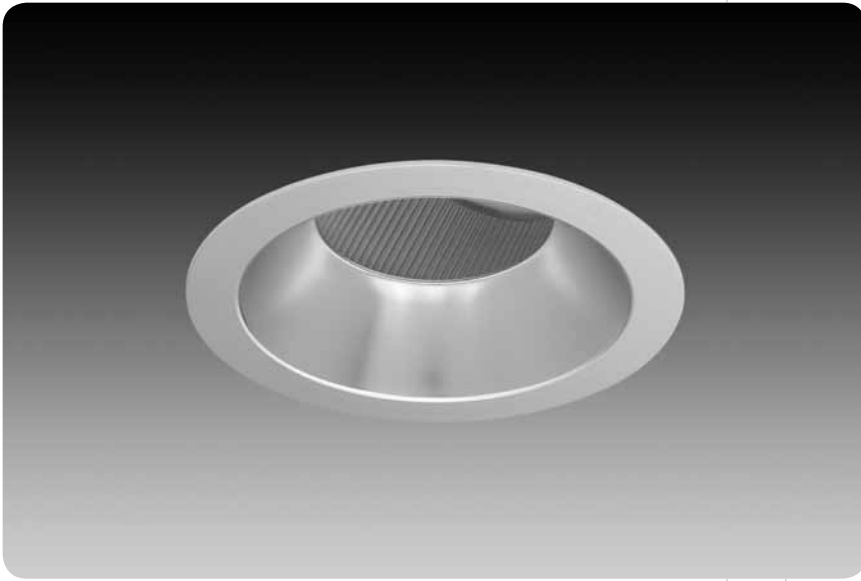


3.5" – led wall wash

id[®]



features

LED module features TrueWhite technology enabling high quality white light, 90 CRI, and high efficacies.

LED Module tilted to deliver excellent wall wash performance.

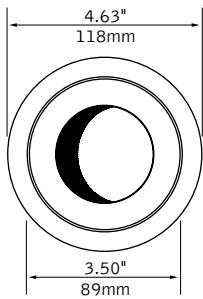
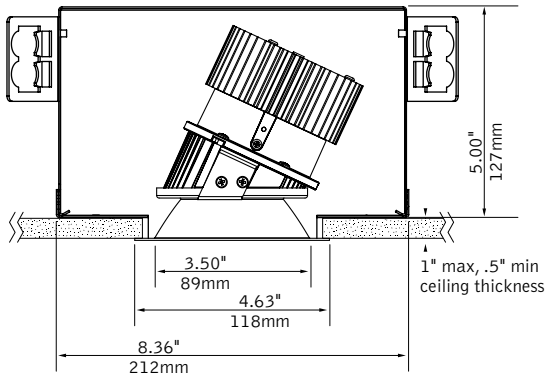
Flicker-free forward phase dimming standard.

Integral 120V driver electronics.

Low profile 5" housing.

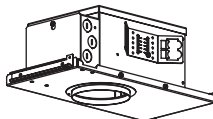
Self-flanged Clear Diffuse reflector cone features superior brightness control.

dimensional data

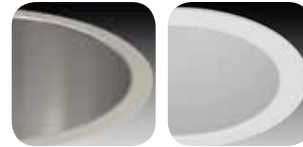


IC
9.59" x 11.21" x 5" h

ICW
9.59" x 14.74" x 5" h



reflector options



clear diffuse

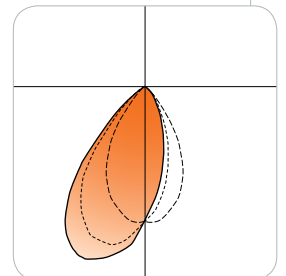
designer white

performance

650 Lumen LED Module
Clear Diffuse Reflector
Total Luminaire Output: 314lms
Photometric performance is measured in accordance with IESNA LM-79.



Use LED downlight in place of a 18W compact fluorescent



Visit focalpointlights.com for complete photometric data.

fixture:

project:

housing specifications

construction

(IC) Butterfly brackets allow mounting to 1/2 emt. Order bar hangers as an accessory. Die-formed housing has (2) 1/2" knockouts on access plate. Accommodates ceiling thicknesses up to 1". Fixture will not exceed 5 lb.

(ICW) Butterfly brackets allow mounting to 1/2 emt. Order bar hangers as an accessory. Die-formed housing and integral junction box with (7) 1/2" pry outs allows for thru wiring of additional branch circuits. Accommodates ceiling thicknesses up to 1". Fixture will not exceed 5 lb.

electrical

Power factor >.09 typical, 60Hz., 100mA, input power range.

ICW housing type UL listed for thru branch wiring, four #14 90°C conductors.

Color Temp	Rated System Watts	Delivered Lumens	Delivered Lumens/Watt
2700K - 3500K	9.5	314	33

*Lumen rating based on Clear Diffuse reflector cone

*Lumen output may vary +/- 5%

*Actual wattage may vary +/- 5%

*Module output is identical for all available color temperatures.

trim & led module specifications

led system

Powered by Cree with TrueWhite technology. The LED module is a comprehensive solution with driver electronics, optics and core thermals included.

led module

Color consistency within a 4-step MacAdam ellipse based on ambient temp. 90 CRI standard for all color temperatures. Offered in 2700 and 3500 color temperatures.

dimming

For use with forward phase dimming controls, dimming performance may vary, consult dimmer manufacturer for compatibility. Dimming range: 100-1%, low end trim may be required.

Lutron Recommended Compatible Dimmers:

DVCL-153P-Diva C•L

DVSCCL-153P-Diva C•L Satin Colors

CTCL-153P- Skylark Contour C•L

AYCL-153P- Ariadni C•L

aesthetics

Parabolic reflector cone ensures glare free optics. Reflector is .050 spun aluminum. Overlap trims are self-flanged. Flange matches reflector finish.

optics

Tilted LED module with textured die-cast connector. Diffusing filter standard.

lifetime & warranty

LED system rated for 35,000 hours at 70% lumen output (L70). Rated life and lumen output based on maximum temperature of 70°C at Tc point on LED module. If Tc temperature rises above rated maximum due to end use conditions, lifetime and lumen output may decrease. 5 year limited warranty.

labels

UL and cUL Listed. Wet label standard.

housing ordering

housing series	<u>FL3</u>
ID Basic LED 3.5" Housing	FL3
trim type	<u>RO</u>
Round Overlap	RO
housing type	_____
Combined T and IC	IC
Combined T and IC with j-box for thru wiring	ICW
factory options	_____
Bar Hangers	BH
Chicago Plenum	CP

trim & led module ordering

aperture	<u>L3W</u>
3.5" Round Aperture Wall Wash	L3W
led module	<u>6LED</u>
650 Lumen LED Module	6LED
color temperature	_____
2700K	L27
3500K	L35
voltage	<u>120</u>
120V	120
trim type	<u>RO</u>
Round Overlap	RO
optic	<u>WW</u>
Wall Wash	WW
reflector & flange color	_____
Clear Diffuse	CD
Designer White	DW

a complete unit consists of two line items, housing and trim
example: FL3-RO-IC | L3W-6LED-L27-120-RO-WW-CD