

metro™ 34



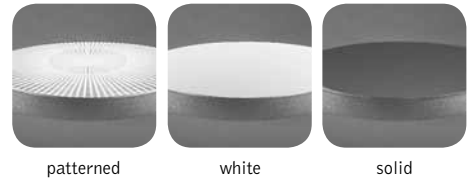
features

Low profile pendant mount fluorescent indirect with luminous acrylic diffuser.

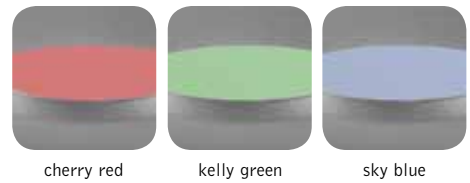
Suspension options include 3-point aircraft cable or single point stem with 45° swivel.

Metro™ makes an exceptional aesthetic statement in conference rooms, cafeterias, private or open offices, reception areas or other high-end applications.

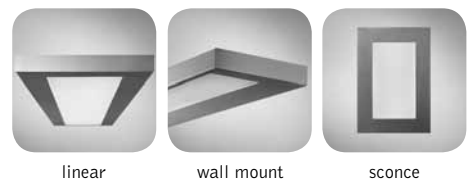
diffuser options



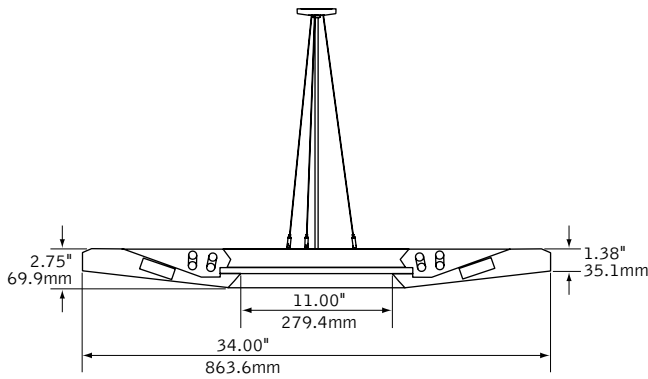
color options



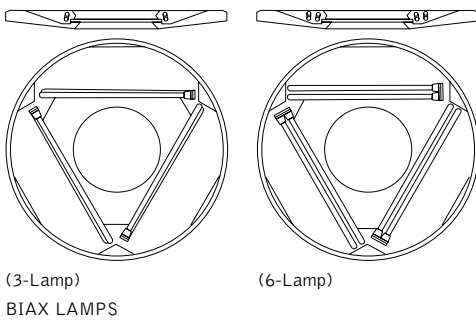
companion luminaire



dimensional data

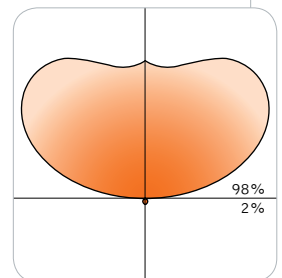


lampping options



performance

3-Lamp 55W Biax
70% Efficiency
2169 cd @ 145°

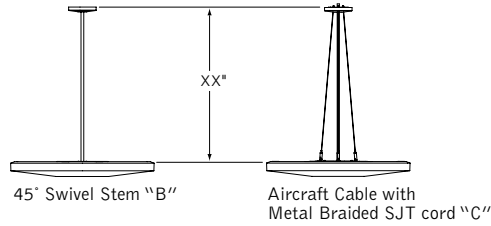


Visit focalpointlights.com for complete photometric data.

fixture:
project:

suspension information

suspension length is determined from ceiling to top of luminaire.



specifications

construction

20 Ga. spun steel housing .036" min. thickness.
11" Dia. opening reveals luminous acrylic diffuser.
Canopy: 5" Dia. x .875"H, spun steel.
Wiring compartment fabricated of 18Ga. C.R.S.
Ballast is accessible by removing reflectors.

weight: 33 lbs.

optic

Four piece 24 Ga. Hammertone aluminum reflectors.
11" Dia. x .375" thick luminous diffuser constructed of optical grade acrylic available as frosted white or with sunburst pattern.
Solid housing option may also be specified.
Optional red, green or blue color gel may be specified.

electrical

Luminaires are pre-wired for single circuit with thermally protected Class "P" electronic ballast.
Factory installed decorative metal braided power cord is included.
White SJT power cord supplied for 347V.
Optional dimming ballasts available.
Consult factory for dimming specifications and availability.
UL and cUL listed.

Lamp: Electronic Program start 160mA, <10%THD

finish

Polyester powder coat applied over a 5-stage pre-treatment.

ordering

luminaire series		FMEP
Metro		FMEP
profile		34
34" Diameter		34
shielding		
Patterned Acrylic		PA
Frosted White Acrylic		WA
Solid Housing		SD
optional color gel		
(Available on PA or WA option)		
Cherry Red Gel		R
Kelly Green Gel		G
Sky Blue Gel		B
(Leave blank for no color)		
lamping		
3 Lamp BX40		3BX40
3 Lamp BX50		3BX50
3 Lamp BX55		3BX55
6 Lamp BX40		6BX40
6 Lamp BX50		6BX50
6 Lamp BX55		6BX55
circuit		
Single Circuit		1C
Dual Circuit		2C
(Dual circuit available on 6-lamp only.)		
voltage		
120 Volt		120
277 Volt		277
347 Volt		347
ballast		
Electronic Program start <10% THD		S
Electronic Dimming Ballast*		D
suspension		
24" Aircraft Cable		C24
48" Aircraft Cable		C48
96" Aircraft Cable		C96
6" 45° Swivel Stem		B6
12" 45° Swivel Stem		B12
18" 45° Swivel Stem		B18
24" 45° Swivel Stem		B24
36" 45° Swivel Stem		B36
48" 45° Swivel Stem		B48
(White stems and canopies supplied standard. For non-white housings: to match stem and housing color, add M to ordering code (B12M). To match stem, canopy and housing color, add MC to ordering code (B12MC)		
(consult factory for other lengths)		
factory options		
Emergency Battery Pack*		EM
HLR/GLR Fuse		FU
Include 3000K Lamp*		L830
Include 3500K Lamp*		L835
Include 4100K Lamp*		L841
finish		
Titanium Silver		TS
Matte Satin White		WH

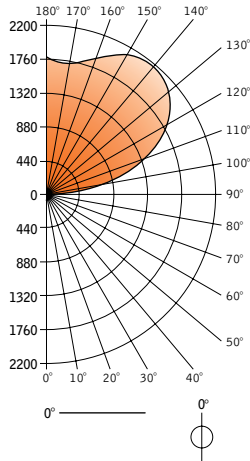
* for more information see Reference section.

metro™ 34



Filename: FMEP343BX55.IES
 Catalog #: FMEP-34-3BX55-1C-120-E-C24-TS
 Efficiency: 70%
 Test #: 11903.1

CANDLEPOWER DISTRIBUTION



Spacing 1.3
 Criterion: 1.3

Vertical Angle	Horizontal Angle 0°	Zonal Lumens
0°	77	
5°	78	8
15°	75	22
25°	69	32
35°	63	39
45°	56	44
55°	46	41
65°	30	30
75°	12	12
85°	3	4
90°	21	
95°	404	441
105°	1123	1188
115°	1626	1614
125°	2003	1797
135°	2164	1676
145°	2169	1363
155°	2009	930
165°	1817	515
175°	1722	164
180°	1786	

LUMEN SUMMARY

Zone	Lumens	% Lamp	% Fixt
0°-30°	61	0.4	0.6
0°-90°	230	1.6	2.3
90°-130°	5041	35.0	50.8
90°-180°	9689	67.3	97.7
Total Luminaire			
0°-180°			

LUMINANCE DATA (CD/M²)

Vertical Angle	0°
45°	147
55°	148
65°	131
75°	84
85°	72

CO-EFFICIENTS OF UTILIZATION

Floor	80				70				50				30				10				00			
Ceiling	70	50	30	10	70	50	30	10	50	10	50	10	50	10	50	10	50	10	50	10	50	10	50	10
Wall	66	66	66	66	57	57	57	57	39	39	39	39	23	23	23	23	08	08	08	08	02	02	02	02
RCR	0	66	66	66	66	66	66	66	66	66	66	66	66	66	66	66	66	66	66	66	66	66	66	66
1	60	57	55	52	51	49	45	34	32	20	19	07	07	01										
2	55	50	46	43	47	43	37	30	26	18	16	07	06	01										
3	50	44	39	35	42	38	31	26	22	16	13	06	05	01										
4	45	38	33	30	39	33	26	23	18	14	11	05	04	01										
5	41	34	29	25	35	29	22	21	16	12	10	05	04	01										
6	38	31	25	22	33	26	19	18	14	11	08	04	03	01										
7	35	27	23	19	30	24	17	17	12	10	07	04	03	01										
8	33	25	20	17	28	22	15	15	11	09	06	03	02	00										
9	30	23	18	15	26	20	13	14	09	08	06	03	02	00										
10	28	21	16	13	24	18	12	13	08	08	05	03	02	00										

Numbers indicate percentage values of