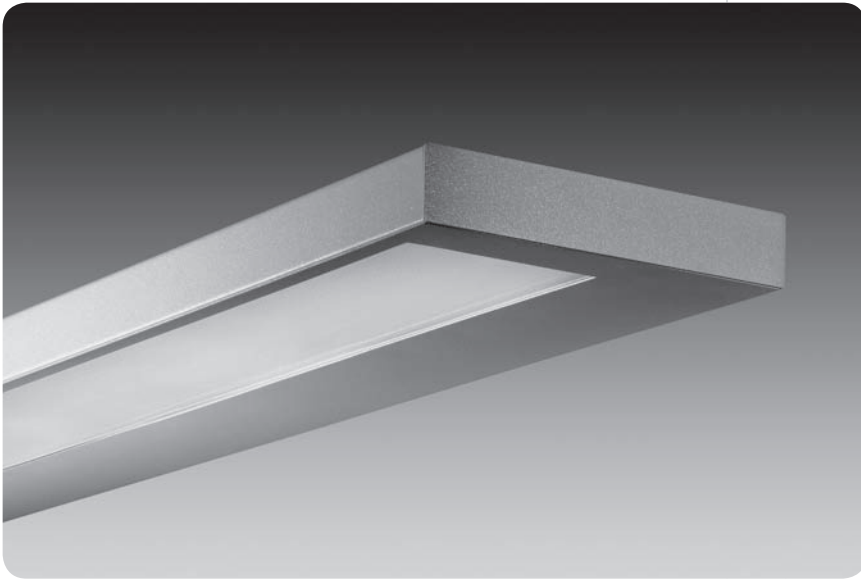


wall mount
metro™



features

Low profile wall mount indirect with luminous acrylic diffuser.

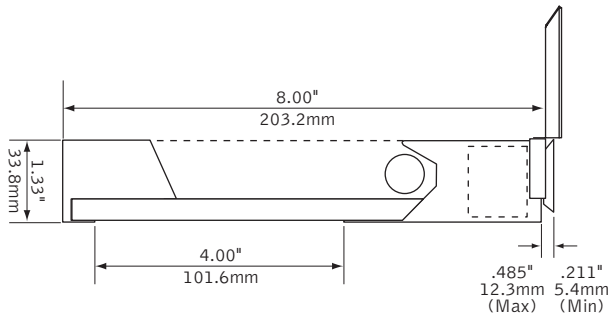
Sleek rectilinear housing only 1.3" high

Soft glowing acrylic panel creates contemporary look in any space.

Hidden mounting bracket creates the appearance of a floating luminaire.

Metro™ makes an exceptional aesthetic statement in conference rooms, private or open offices, reception areas or other high-end applications.

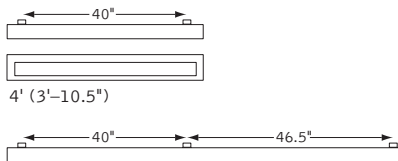
dimensional data



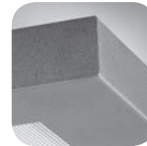
lampping options



fixture information



details



flat endcap

companion luminaire



linear



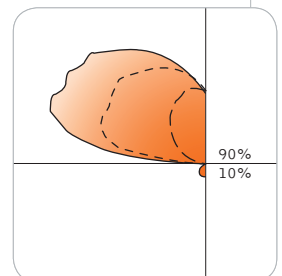
sconce



pendant

performance

1-Lamp T5HO
57% Efficiency
1168 cd @ 115°

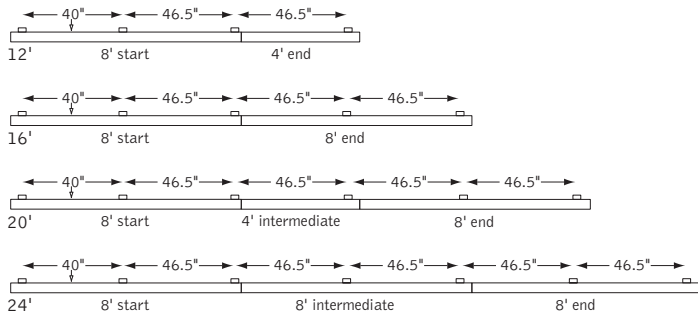


Visit focalpointlights.com for complete photometric data.

fixture:

project:

mounting information



†Power feed location is 20" from left mounting bracket.

Consult factory for additional row length information.

specifications

construction

One-piece 20 Ga. steel housing.
 14 Ga. steel end caps mechanically attach flush to housing with concealed fasteners.
 For row installation, internal brackets form hairline joint.
 Standard lengths are available in 46.5" and 93".
 All luminaires are provided with mounting brackets.

4' unit weight: 16 lbs.

8' unit weight: 30 lbs.

optic

Reflector fabricated of low iridescent, semi specular premium grade aluminum.
 Luminous diffuser constructed of optical grade acrylic with linear diffusing pattern.

electrical

Luminaires are pre-wired with factory installed branch circuit wiring with over-molded quick connects.
 Electronic ballasts are thermally protected and have a Class "P" rating.
 Optional dimming ballasts available.
 UL and cUL listed.

finish

Polyester powder coat applied over a 5-stage pre-treatment.
 Mounting brackets, rail and J-box plate finished in Matte Satin White.

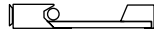
ordering

luminaire series	FMEW	<u>FMEW</u>
Metro	FMEW	
shielding	PA	<u>PA</u>
Linear Patterned Acrylic Diffuser	PA	
lamping		
1 Lamp T5	1T5	
1 Lamp T5HO	1T5HO	
circuit	1C	<u>1C</u>
Single Circuit	1C	
voltage		
120 Volt	120	
277 Volt	277	
347 Volt	347	
ballast		
Electronic Program Start <10% THD	S	
Electronic Dimming Ballast*	D	
mounting	WM	<u>WM</u>
Wall Mount	WM	
factory options		
Emergency Circuit*	EC	
Emergency Battery Pack*	EM	
HLR/GLR Fuse	FU	
Include 3000K Lamp	L830	
Include 3500K Lamp	L835	
Include 4100K Lamp	L841	
finish		
Titanium Silver	TS	
Matte Satin White	WH	
luminaire run length		
	4'	4'
	8'	8'
	12' (8'+4')	12'
	16' (8'+8')	16'
	20' (8'+4'+8')	20'
	24' (8'+8'+8')	24'

(Above are nominal lengths. See continuous run configurations for exact dimensions.)

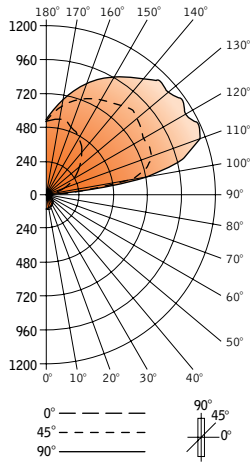
* for more information see Reference section.

wall mount
metro™



Filename: FMEWPA1T5H.IES
 Catalog #: FMEW-PA-1T5H0-1C-120-S-WM-TS-4'
 Efficiency: 57%
 Test #: 11924.0

CANDLEPOWER DISTRIBUTION



Vertical Angle	Horizontal Angle				Zonal Lumens
	0°	22.5°	45°	67.5°	
0°	99	99	99	99	99
5°	103	103	103	103	103
15°	106	108	108	106	106
25°	99	99	99	97	97
35°	90	90	90	88	86
45°	73	73	70	66	66
55°	59	59	56	51	51
65°	44	42	40	35	29
75°	27	24	20	16	12
85°	10	9	6	0	3
90°	1	1	1	0	0
95°	251	245	241	200	140
105°	993	932	730	344	75
115°	1168	1065	792	423	169
125°	1157	1063	811	498	263
135°	1124	1053	846	557	356
145°	996	933	787	587	432
155°	883	841	739	602	489
165°	757	735	679	601	538
175°	590	582	564	540	530
180°	512	512	512	512	512

LUMEN SUMMARY

	Zone Lumens	% Lamp	% Fixt
0°-30°	85	1.7	3.0
0°-90°	293	5.9	10.4
90°-130°	1380	27.6	48.7
90°-180°	2538	50.8	89.6
Total Luminaire	2831	56.6	100.0

LUMINANCE DATA (CD/M²)

Vertical Angle	0°	45°	90°
45°	911	2492	2336
55°	118	441	137
65°	34	67	101
75°	0	55	55
85°	0	41	41

Go to www.focalpointlights.com for additional photometric data.