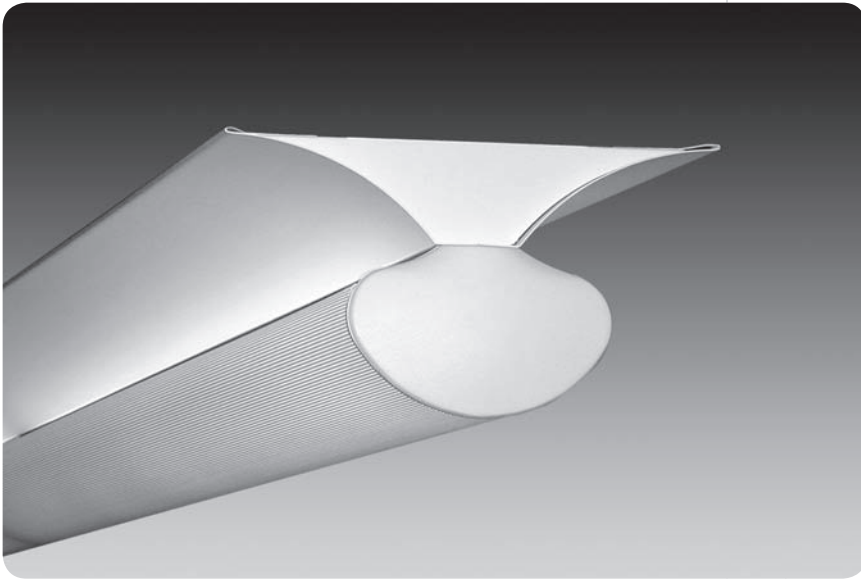


direct/indirect
softlite™ V



features

Suspended direct/indirect luminaire with Matte Satin White reflector and perforated lamp shield.

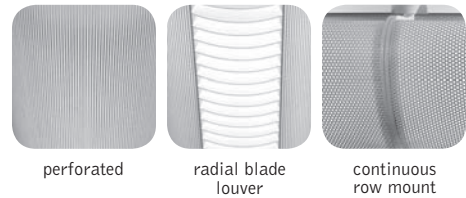
Separate upright optical compartment provides indirect illumination.

Two-piece sculpted end caps are removable to allow for continuous mounting of multiple luminaires.

Reflectors provide indirect quality of light.

Great choice for lighting library stacks, conference rooms and large open spaces.

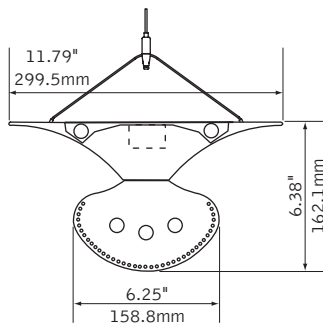
shielding options



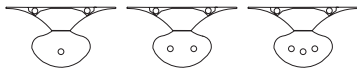
companion luminaire



dimensional data

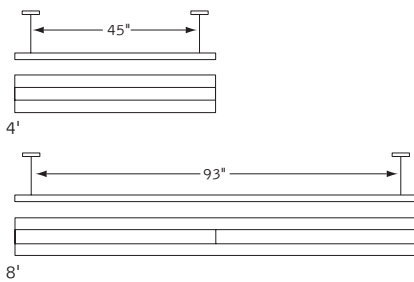


lampping options



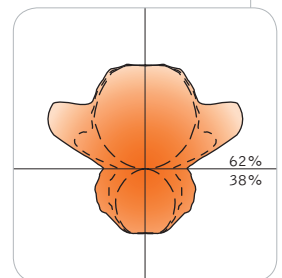
T5/T5H0 LAMPS

fixture information



performance

Perforated Lamp Shield
2 Up/3Down-T5 Lamps
78% Efficiency
1832 cd @ 125°

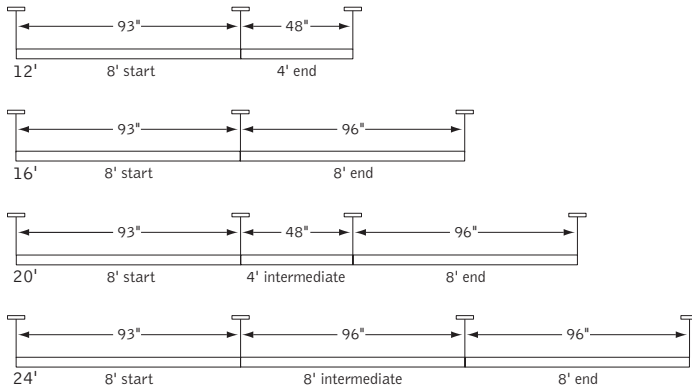


Visit focalpointlights.com for complete photometric data.

fixture:

project:

suspension information



Consult factory for additional row length information.

specifications

construction

One-piece 20 Ga. steel housing.
Die-cast aluminum end caps complete shield assembly.
For row installation, internal brackets form hairline joint.
Standard lengths are available in 48" and 96".
All luminaires are provided with Y-cable suspension.

4' unit weight: 19 lbs.

8' unit weight: 38 lbs.

optic

One-piece 20 Ga. steel reflectors finished in Matte Satin White powder coat.
22 Ga. steel perforated lamp shield with white acrylic insert.
Optional radial blade louver, .75"H x 1" frequency blade spacing.

electrical

Luminaires are pre-wired with factory installed branch circuit wiring with over-molded quick connects.
Factory installed SJT power cord at feed location is included.
Electronic ballasts are thermally protected and have a Class "P" rating.
Optional dimming ballasts available.
UL and cUL listed.

finish

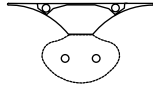
Polyester powder coat applied over a 5-stage pretreatment.
Canopy finished in Matte Satin White.

ordering

luminaire series	Softlite V	FS5S
shielding	Perforated Shield	PS
	Radial Blade Louver	RLP
lamping		
	2 T5HO Up, 1 T5HO Down	21T5HO
	2 T5 Up, 2 T5 Down	22T5
	2 T5HO Up, 2 T5HO Down	22T5HO
	2 T5 Up, 3 T5 Down	23T5
	2 T5HO Up, 3 T5HO Down	23T5HO
circuit		
	Single Circuit	1C
	Dual Circuit	2C
	Triple Circuit	3C
voltage		
	120 Volt	120
	277 Volt	277
	347 Volt	347
ballast		
	Electronic Program Start <10% THD	S
	Electronic Dimming Ballast*	D
mounting		
	24" Cable Suspension	C24
	48" Cable Suspension	C48
	96" Cable Suspension	C96
	<small>(Specify "J" in place of "C" for 5" dia. canopies at power feed and 2" dia canopies at non-feed locations) (Consult factory for sloped ceiling applications)</small>	
factory options		
	Emergency Circuit*	EC
	Emergency Battery Pack*	EM
	HLR/GLR Fuse	FU
	Include 3500K Lamp	L830
	Include 3000K Lamp	L835
	Include 4100K Lamp	L841
finish		WH
	Matte Satin White	WH
luminaire length		
	4'	4
	8'	8'
	12' (8' + 4')	12'
	16' (8' + 8')	16'
	20' (8' + 4' + 8')	20'
	24' (8' + 8' + 8')	24'

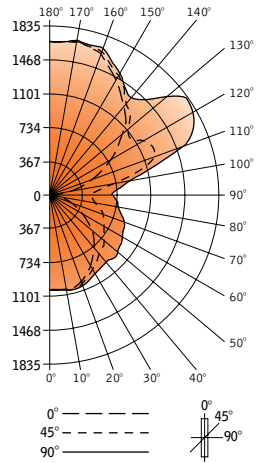
* for more information see Reference section.

direct/indirect
softlite™ V



Filename: FS5SPS23T5.IES
 Catalog #: FS5S-PS-23T5-1C-120-S-CXX-WH-4'
 Efficiency: 78%
 Test #: 12066.0

CANDLEPOWER DISTRIBUTION



Spacing 1.2
 Criterion: 1.5

Vertical Angle	Horizontal Angle				Zonal Lumens
	0°	22.5°	45°	67.5°	
0°	1055	1055	1055	1055	1055
5°	1055	1056	1059	1060	1060
15°	1049	1059	167	1079	1083
25°	937	948	978	1009	1021
35°	798	820	873	936	972
45°	647	685	802	935	990
55°	448	511	705	873	940
65°	261	375	631	820	881
75°	121	276	531	707	773
85°	29	199	453	635	707
90°	0	179	422	597	663
95°	68	252	507	703	774
105°	342	562	1002	1155	1180
115°	622	650	1240	1663	1740
125°	900	927	1078	1711	1832
135°	1190	1226	1250	1368	1480
145°	1361	1385	1423	1427	1439
155°	1557	1569	1600	1623	1630
165°	1694	1700	1711	1724	1728
175°	1721	1721	1721	1721	1720
180°	1720	1720	1720	1720	1720

LUMEN SUMMARY

	Zone Lumens	% Lamp	% Fixt
0°-30°	856	5.9	7.6
0°-90°	4225	29.1	37.6
90°-130°	3749	25.9	33.3
90°-180°	7025	48.4	62.4
Total Luminaire	11249	77.6	100

LUMINANCE DATA (CD/M²)

Vertical Angle	0°	45°	90°
45°	2469	1991	2458
55°	2108	1877	2503
65°	1667	1873	2615
75°	1262	1843	2683
85°	898	1965	3067

CO-EFFICIENTS OF UTILIZATION

Floor	80			70			50			30			10			00
Ceiling	70	50	30	10	70	50	30	10	50	10	50	10	50	10	00	
Wall	81	81	81	81	73	73	73	73	59	59	46	46	35	35	29	
RCR 0	81	81	81	81	73	73	73	73	59	59	46	46	35	35	29	
1	73	69	65	62	66	62	57	50	46	39	36	29	27	22		
2	66	59	54	50	59	54	45	43	37	34	29	25	22	18		
3	60	52	46	41	54	47	38	38	31	30	25	22	18	15		
4	54	46	39	34	49	41	32	32	26	62	21	19	16	12		
5	50	40	34	29	45	37	27	30	22	23	17	17	13	10		
6	46	36	30	25	41	33	23	26	19	21	15	15	11	09		
7	42	32	26	22	338	29	20	24	16	19	13	14	10	08		
8	39	29	23	19	35	27	17	21	14	17	11	12	08	06		
9	36	26	21	17	32	24	15	19	13	15	10	11	07	05		
10	34	24	19	15	30	22	14	18	11	14	09	10	06	05		

Numbers indicate percentage values of

Go to www.focalpointlights.com for additional photometric data.