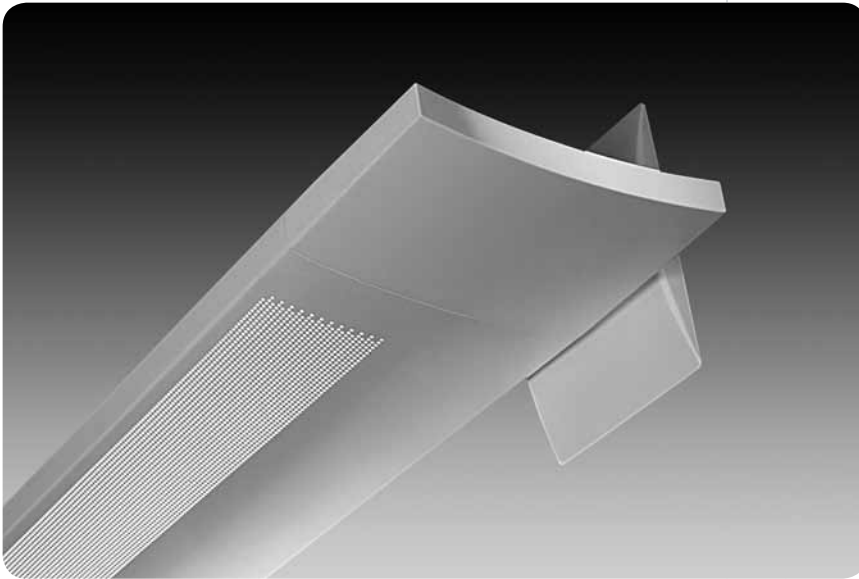


wall mount  
**verve™ II**



**features**

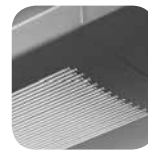
Wall mounted indirect asymmetric fluorescent with contoured housing and end caps.

Elegant wall-mount version of Focal Point's suspended Verve™ II.

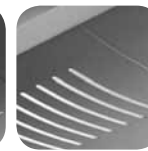
One-piece steel housing with 5" die-cast end caps.

Verve™ is an excellent choice for any open office or VDT application.

**shielding options**



perforated



slotted



solid

**companion luminaire**



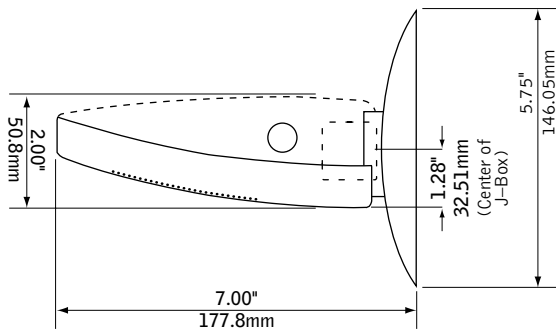
linear

**sensor options**



daylight /  
 occupancy sensor

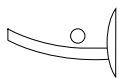
**dimensional data**



**lampping options**

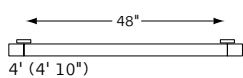


T5/T5HO LAMPS

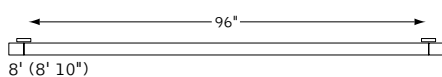


T8 LAMP

**fixture information**



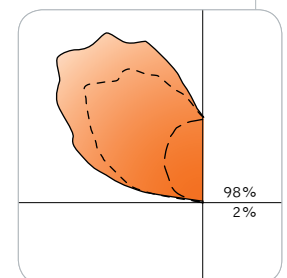
4' (4' 10")



8' (8' 10")

**performance**

Perforated Housing  
 1-Lamp T5HO  
 79.4% Efficiency  
 2259 cd @ 135°

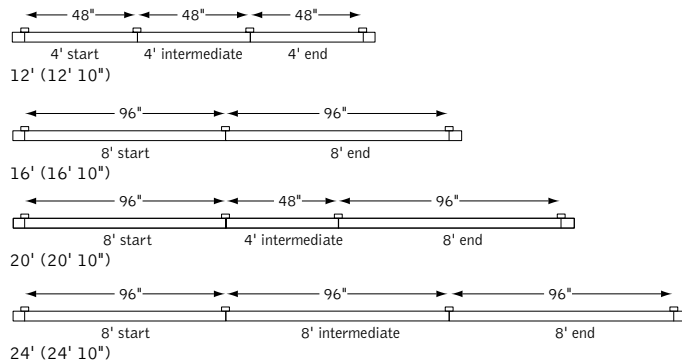


Visit [focalpointlights.com](http://focalpointlights.com) for complete photometric data.

fixture:

project:

### mounting information



Consult factory for additional row length information.

### specifications

#### construction

One-piece 20 Ga. steel housing available solid or with perforated or slotted pattern. Perforated or slotted housing includes white acrylic insert. Die-cast 5" end cap fastened to housing. For row installation, internal brackets form hairline joint. Standard lengths are available in 4' and 8'. All luminaires are provided with mounting brackets.

4' unit weight: 15 lbs.  
8' unit weight: 22 lbs.

#### Optic

Die-formed 24 Ga. steel reflector, finished in high reflectance white powder coat (93% min. reflectance).

#### electrical

Luminaires are pre-wired with factory installed branch circuit wiring and over-molded quick connects. Electronic ballasts are thermally protected and have a Class "P" rating. Optional dimming ballasts available. UL and cUL listed.

#### sensors

Lutron daylight sensor is a directional sensor that operates with a Lutron EcoSystem (DB) or H-Series (DK) ballast and control system. The sensor has an integrated IR receiver for EcoSystem programming.

Philips Luxsense daylight sensor measures reflected light from the surface below and dims lamp output when the light level exceeds required level. Output may be adjusted by turning the dial. A 0-10V dimming ballast is required (T5/T8 - DS, T5H0 - D7 standard).

Wattstopper daylight sensor is a closed loop system that measures total light level from daylight and electric light. A 0-10V dimming ballast is required (T5/T8 - DS, T5H0 - D7 standard).

Wattstopper occupancy sensor is a passive infrared sensor designed for cubicles and small offices. It has built-in daylight sensing that will hold lights off when adequate ambient light exists. One sensor controls multiple fixtures.

#### finish

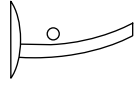
Polyester powder coat applied over a 5-stage pretreatment. Mounting arm and brackets finished to match housing.

### ordering

fixture series		FV2W
Verve II		FV2W
<b>shielding</b>		_____
Perforated Housing	PS	
Slotted Housing	SL	
Solid Housing	SD	
<b>lamping</b>		_____
1 Lamp T5	1T5	
1 Lamp T5H0	1T5H0	
2 Lamp T5	2T5	
2 Lamp T5H0	2T5H0	
1 Lamp T8	1T8	
<b>circuit</b>		_____
Single Circuit	1C	
Dual Circuit	2C	
(Multiple lamp luminaires only)		
<b>voltage</b>		_____
120 Volt	120	
277 Volt	277	
347 Volt	347	
<b>ballast</b>		_____
Electronic Instant Start <20% THD (T8 Only)	E	
Electronic Program Start <10% THD	S	
Electronic Dimming Ballast*	D	
<b>mounting</b>		_____ <b>WM</b>
Wall Mount	WM	
<b>factory options</b>		_____
Dust Cover	DC	
Emergency Circuit*	EC	
Emergency Battery Pack*	EM	
HLR/GLR Fuse	FU	
Include 3000K Lamp*	L830	
Include 3500K Lamp*	L835	
Include 4100K Lamp*	L841	
Lutron™ Daylight Sensor* (EcoSystem/H-Series ballast & controls required)	LY1	
Lutron™ Sensor Feed* (EcoSystem ballast & controls required)	SF	
Philips® Daylight Sensor* (0-10V dimming ballast required)	PY1	
WattStopper™ Daylight Sensor* (0-10V dimming ballast required)	WY1	
WattStopper™ Occupancy Sensor*	W01	
<b>finish</b>		_____
Matte Satin White	WH	
Titanium Silver	TS	
<b>luminaire length</b>		_____
4'	4'	
8'	8'	
12' (4'+4'+4')	12'	
16' (8'+8')	16'	
20' (8'+4'+8')	20'	
24' (8'+8'+8')	24'	
<b>remotes</b>		_____
(specify quantity)		
WattStopper™ Daylight Setup Remote* (required for daylight programming, one included per order)	WYSR	
WattStopper™ Occupant Controller*	WOR	

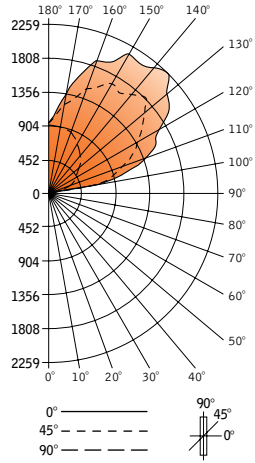
\* for more information see Reference section.

wall mount  
**verve™ II**



Filename: FV2WPS1T5H.IES  
 Catalog #: FV2W-PS-1T5H0-1C-120-S-WM-WH-4'  
 Efficiency: 79.4%  
 Test #: 10921.0

**CANDLEPOWER DISTRIBUTION**



Vertical Angle	Horizontal Angle				Zonal Lumens
	0°	22.5°	45°	67.5°	
0°	32	32	32	32	32
5°	34	34	34	34	32
15°	38	38	36	32	30
25°	34	37	34	31	25
35°	32	32	29	25	20
45°	23	23	19	16	7
55°	18	18	12	7	5
65°	12	10	6	1	0
75°	5	5	1	0	0
85°	2	1	0	0	0
90°	98	71	33	1	0
95°	336	317	275	212	34
105°	974	947	885	588	150
115°	1609	1505	1281	920	305
125°	1914	1823	1609	1123	462
135°	2259	2136	1850	1283	625
145°	2055	1941	1639	1172	715
155°	1907	1814	1556	1168	833
165°	1508	1446	1293	1087	896
175°	1109	1083	1032	958	917
180°	909	909	909	909	909

**LUMEN SUMMARY**

Zone	Lumens	% Lamp	% Fixt
90°-120°	25	.5	.6
90°-130°	58	1.2	1.5
90°-150°	1887	37.7	47.6
<b>Total Luminaire</b>	<b>3910</b>	<b>78.2</b>	<b>98.5</b>
0°-180°	<b>3968</b>	<b>79.4</b>	<b>100.0</b>