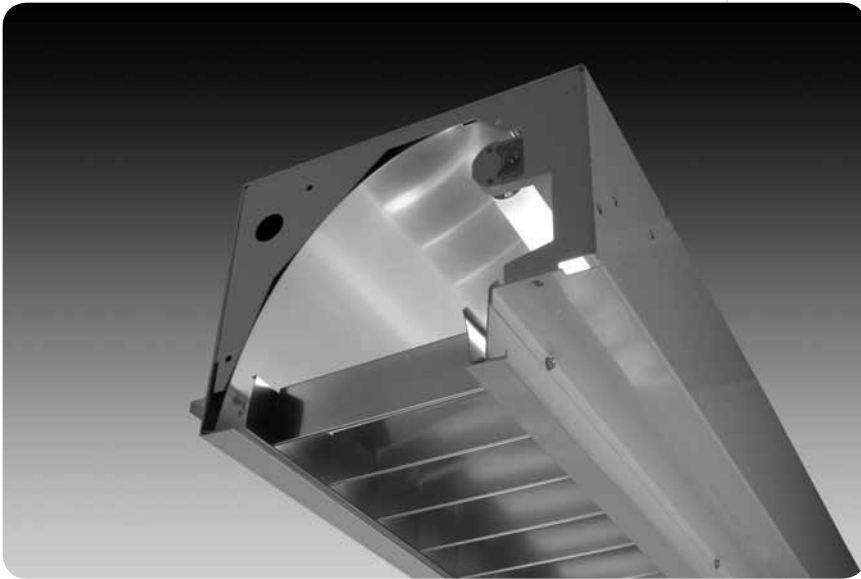


# focus™ 2



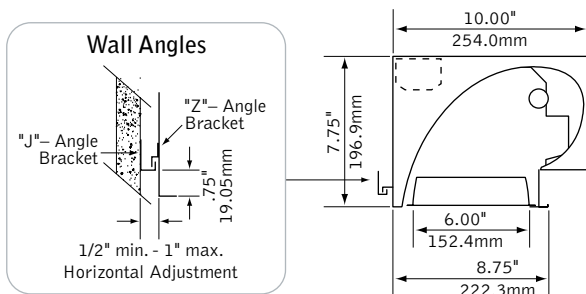
## features

High performance perimeter wall washing system.

Luminaire alignment is maintained with continuous angle and splice brackets.

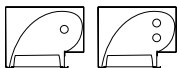
Focus™ 2 offers a selection of shielding media including parabolic louver or bold baffle.

## dimensional data



## lamping options

parabolic louver



T8 LAMPS

bold baffle

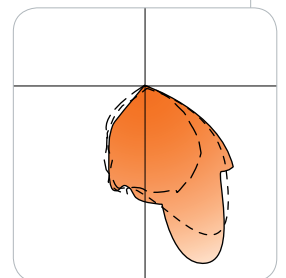


T5/T5H0 LAMPS



## performance

1-Lamp T8  
57% Efficiency  
1192cd @ 15°

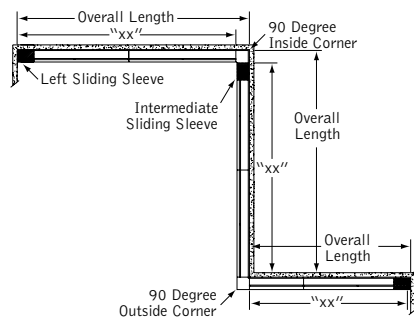


Visit [focalpointlights.com](http://focalpointlights.com) for complete photometric data.

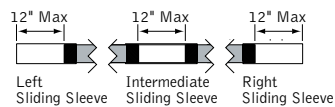
fixture:  
project:

## details

### typical run layout



### sliding sleeves



Fractional Dimensions up to 12" are taken up by the use of a sliding sleeve.  
"J" and "Z" angle brackets must be cut to length in field.

Luminaires must be installed prior to ceiling.  
Start run from corner with any standard luminaire.  
Corner to corner runs end with an intermediate sleeve.

## specifications

### construction

- 20 Ga. steel housing.
- 20 Ga. steel T-rail mates with ceiling.
- 18 Ga. internal bulkheads join luminaires.
- 18 Ga. galvanized steel splice brackets are provided to ensure precise luminaire alignment.
- 20 Ga. steel continuous wall angles are provided to ensure horizontal alignment at wall.

Luminaires are available up to 8' nominal lengths.

4' unit weight: 28 lbs  
8' unit weight: 51 lbs

### optic

- CNC roll formed semi-specular .0235" aluminum front reflector with specular .0235" aluminum back reflector.
- Parabolic Louver: semi-specular, low iridescence .024" aluminum 1-1/2"H x 2.4" frequency.
- Bold Baffle: .040" aluminum, 1"H x 1" frequency x 3/16" thick louver finished in High Reflectance White powder coat.
- Both options use positive lay-in installation.

### electrical

- Electronic ballasts are thermally protected and have a Class "P" rating.
- Optional dimming ballasts available.
- Consult factory for dimming specifications and availability.
- UL and cUL listed.

### finish

- Polyester powder coat applied over a 5-stage pre-treatment.
- Standard luminaire housing finished in Matte Satin White.

## ordering

luminaire series FW2  
Focus 2 FW2

shielding  
Parabolic Louver, Semi-Specular PL  
Bold Baffle, White BB

lamping  
One Lamp T8 1T8  
Two Lamp T8 2T8  
One Lamp T5 1T5  
Two Lamp T5 2T5  
One Lamp T5HO 1T5HO  
Two Lamp T5HO 2T5HO

circuit  
Single Circuit 1C  
Dual Circuit (Two lamps only) 2C

voltage  
120 Volt 120  
277 Volt 277  
347 Volt 347

ballast  
Electronic Instant Start <20% THD E  
Electronic Program Start <10% THD S  
Electronic Dimming Ballast\* D

mounting RC  
Recessed RC

### factory options

Air Return AR  
Emergency Circuit\* EC  
Emergency Battery Pack\* EM  
Flanged End (specify when run does not terminate at a wall) FL  
HLR/GLR Fuse FU  
Include 3000K Lamp\* L830  
Include 3500K Lamp\* L835  
Include 4100K Lamp\* L841  
Sliding Sleeve SS

finish WH

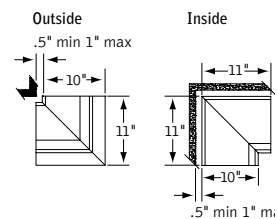
Matte Satin White WH

### luminaire length

Designate length in feet XX'  
(Nominal lengths: 2', 3', 4', 5', 6', 7', 8')  
(All end caps are flat with no flange unless otherwise specified)

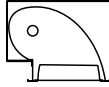
### corner options

90-degree Inside Corner FW2-IC90  
90-degree Outside Corner FW2-OC90



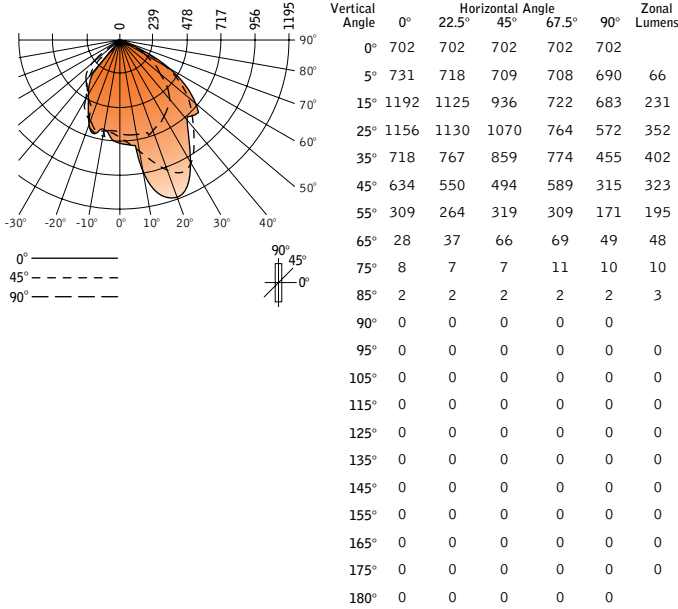
\* for more information see Reference section.

# focus™ 2



Filename: FW2PL1T8.IES  
 Catalog #: FW2-PL-1T8-1C-120-E-RC-HW  
 Efficiency: 57%  
 Test #: 8758.0

## CANDLEPOWER DISTRIBUTION



## LUMEN SUMMARY

Zone	Lumens	% Lamp	% Fixt
0°-30°	648	22.8	39.8
0°-40°	1051	36.9	64.5
0°-60°	1569	55.0	96.3
0°-90°	1629	57.2	100.0
<b>Total Luminaire</b>	<b>1629</b>	<b>57</b>	<b>100.0</b>

# focus standard run length

Continuous Runs consist of standard fixture lengths. Left and Right End Trims and Sliding Sleeves are determinate, according to specific field conditions. Consult factory for details.

Example: 32' run = three 8' fixtures and one 7' fixture with a sliding sleeve expandable to 32'.

run length (in feet)	standard fixture lengths required	lamp sizes	sliding sleeve	run length (in feet)	standard fixture lengths required	lamp sizes	sliding sleeve
4-5	4	4	1	34-35	8 8 8 6 4	4 4 4 4 4 4 4 3 3	1
5-6	5	5	1	35-36	8 8 8 8 3	4 4 4 4 4 4 4 4 3	1
6-7	6	3 3	1	36-37	8 8 8 8 4	4 4 4 4 4 4 4 4 4	1
7-8	7	4 3	1	37-38	8 8 8 6 7	4 4 4 4 4 4 4 3 3 3	1
8-9	8	4 4	1	38-39	8 8 8 8 6	4 4 4 4 4 4 4 4 3 3	1
9-10	6 3	3 3 3	1	39-40	8 8 8 8 7	4 4 4 4 4 4 4 4 4 3	1
10-11	6 4	3 3 4	1	40-41	8 8 8 8 8	4 4 4 4 4 4 4 4 4 4	1
11-12	8 3	4 4 3	1	41-42	8 8 8 8 6 3	4 4 4 4 4 4 4 4 3 3 3	1
12-13	8 4	4 4 4	1	42-43	8 8 8 8 6 4	4 4 4 4 4 4 4 4 4 3 3	1
13-14	7 6	4 3 3 3	1	43-44	8 8 8 8 8 3	4 4 4 4 4 4 4 4 4 4 3	1
14-15	8 6	4 4 3 3	1	44-45	8 8 8 8 8 4	4 4 4 4 4 4 4 4 4 4 4 4	1
15-16	8 7	4 4 4 3	1	45-46	8 8 8 8 7 6	4 4 4 4 4 4 4 4 4 3 3 3	1
16-17	8 8	4 4 4 4	1	46-47	8 8 8 8 8 6	4 4 4 4 4 4 4 4 4 4 3 3	1
17-18	8 6 3	4 4 3 3 3	1	47-48	8 8 8 8 8 7	4 4 4 4 4 4 4 4 4 4 4 3	1
18-19	8 6 4	4 4 4 3 3	1	48-49	8 8 8 8 8 8	4 4 4 4 4 4 4 4 4 4 4 4 4	1
19-20	8 8 3	4 4 4 4 3	1	49-50	8 8 8 8 8 6 3	4 4 4 4 4 4 4 4 4 4 3 3 3	1
20-21	8 8 4	4 4 4 4 4	1	50-51	8 8 8 8 8 7 3	4 4 4 4 4 4 4 4 4 4 4 3 3	1
21-22	8 7 6	4 4 4 3 3 3	1	51-52	8 8 8 8 8 8 3	4 4 4 4 4 4 4 4 4 4 4 4 3	1
22-23	8 8 6	4 4 4 4 3 3	1				
23-24	8 8 7	4 4 4 4 4 3	1				
24-25	8 8 8	4 4 4 4 4 4	1				
25-26	8 8 6 3	4 4 4 4 3 3 3	1				
26-27	8 8 6 4	4 4 4 4 4 3 3	1				
27-28	8 8 8 3	4 4 4 4 4 4 3	1				
28-29	8 8 8 4	4 4 4 4 4 4 4	1				
29-30	8 8 7 6	4 4 4 4 4 3 3 3	1				
30-31	8 8 8 6	4 4 4 4 4 4 3 3	1				
31-32	8 8 8 7	4 4 4 4 4 4 4 3	1				
32-33	8 8 8 8	4 4 4 4 4 4 4 4 4	1				
33-34	8 8 8 6 3	4 4 4 4 4 4 3 3 3	1				