

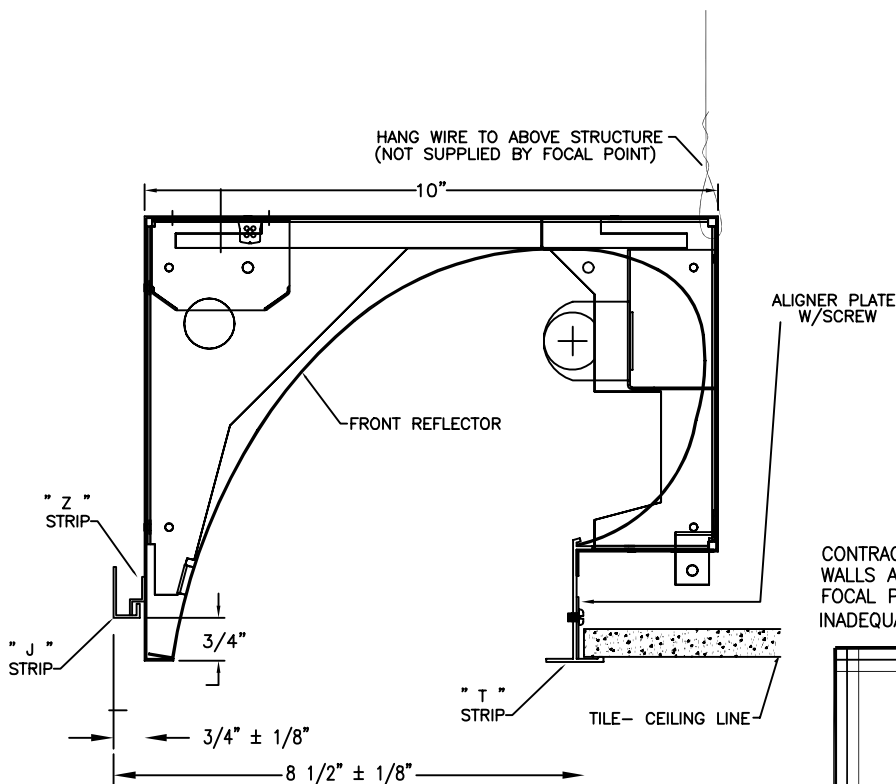
FW3 INSTALLATION INSTRUCTIONS

THE FIXTURES ARE INTENDED TO BE INSTALLED BY A QUALIFIED ELECTRICIAN (CHECK WITH LOCAL AND NATIONAL CODES FOR PROPER INSTALLATION). TO PREVENT ELECTRICAL SHOCK, DISCONNECT ELECTRICAL SUPPLY BEFORE INSTALLATION OR SERVICING.

FIXTURE MUST BE INSTALLED PRIOR TO SHEET ROCK CEILING!

RUNS ARE INSTALLED FROM LEFT TO RIGHT, AS INSTALLER FACES THE WALL.

- (1) INSTALL " J " STRIP FROM WALL TO WALL, CUT LAST STRIP TO FIT. MAKE SURE THE STRIP IS INSTALLED $3/4$ " INCH ABOVE CEILING LINE.
- (2) REMOVE FRONT REFLECTORS FROM FIXTURES.
- (3) HOOK FIRST FIXTURE ONTO " J " STRIP AND HANG FROM ABOVE STRUCTURE USING HANG WIRE (NOT SUPPLIED BY FOCAL POINT).
- (4) CONTINUE WITH REMAINING FIXTURES, JOIN ALL FIXTURES USING THE (4) #8-32 SCREWS AND NUTS PROVIDED WITH EACH FIXTURE.
- (5) TO INSTALL ADJUSTABLE FIXTURE, CUT " T " STRIP TO MEASURED LENGTH, SLIDE-IN ADJUSTABLE SLEEVE AND REFLECTOR ACCORDINGLY.
- (6) MAKE NECESSARY CONNECTIONS PER LOCAL AND NATIONAL CODES.
- (7) REPLACE REFLECTORS, AND INSTALL LAMPS.



CONTRACTOR IS RESPONSIBLE FOR ADEQUATELY REINFORCING WALLS AND/OR CEILINGS TO SUPPORT FIXTURE WEIGHT. FOCAL POINT, L.L.C. ACCEPTS NO RESPONSIBILITY FOR INADEQUATELY REINFORCED WALLS AND/OR CEILINGS.



DRAWN BY: ADAME DATE: 11/26/96

DRAWING NO.: IS-0014