

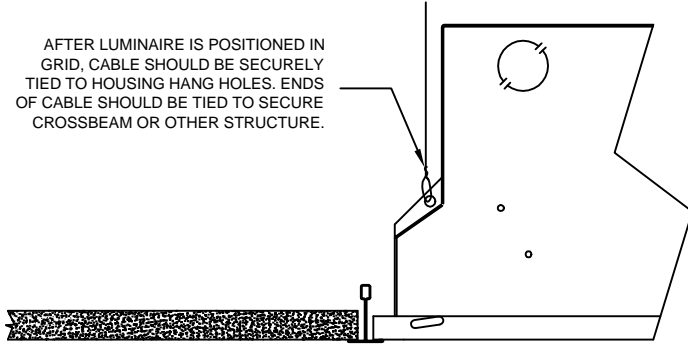
FBX INSTALLATION AND ROW MOUNTING INSTRUCTIONS

SAFETY AND INSTALLATION INSTRUCTIONS

FIXTURES MUST BE INSTALLED BY A QUALIFIED ELECTRICIAN (CHECK WITH LOCAL AND NATIONAL CODES FOR PROPER INSTALLATION). TO PREVENT ELECTRICAL SHOCK, DISCONNECT ELECTRICAL SUPPLY BEFORE INSTALLATION OR SERVICING.

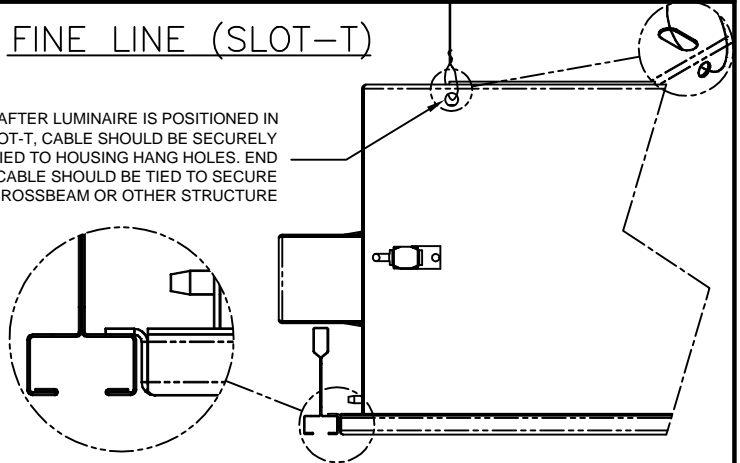
EXPOSED-T BAR (GRID)

AFTER LUMINAIRE IS POSITIONED IN GRID, CABLE SHOULD BE SECURELY TIED TO HOUSING HANG HOLES. ENDS OF CABLE SHOULD BE TIED TO SECURE CROSSBEAM OR OTHER STRUCTURE.



FINE LINE (SLOT-T)

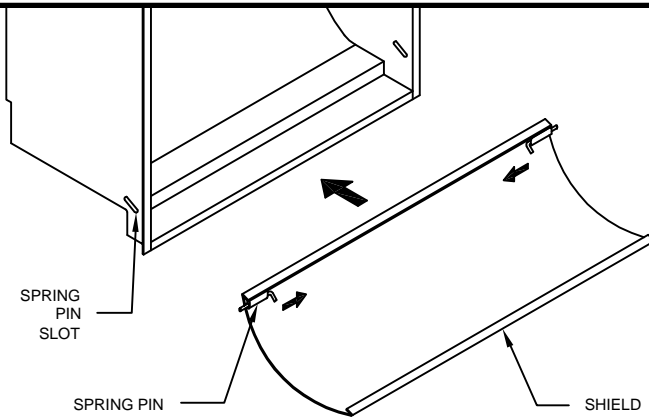
AFTER LUMINAIRE IS POSITIONED IN SLOT-T, CABLE SHOULD BE SECURELY TIED TO HOUSING HANG HOLES. END OF CABLE SHOULD BE TIED TO SECURE CROSSBEAM OR OTHER STRUCTURE



NOTE:

SEE PAGE 2 FOR ROW MOUNTING DETAIL OF T8 LUMINAIRES.

SHIELD INSTALLATION AND REMOVAL



TO INSTALL SHIELD:

DEPRESS SPRING PINS AND INSERT SHIELD INTO LUMINAIRE HOUSING. RELEASE SPRING PIN INTO SLOT.

TO REMOVE SHIELD:

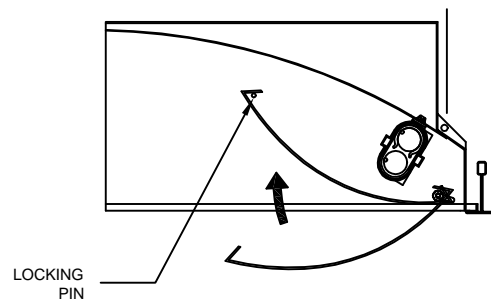
DEPRESS SPRING PINS AND REMOVE SHIELD FROM LUMINAIRE HOUSING.

TO CLOSE SHIELD:

PUSH UP ON SHIELD OVER LOCKING PINS, ALLOW SHIELD TO DROP INTO PLACE.

TO OPEN SHIELD:

PUSH UP ON SHIELD AND RELEASE FROM LOCKING PINS, ALLOW SHIELD TO DROP.



CONTRACTOR IS RESPONSIBLE FOR ADEQUATELY REINFORCING WALLS AND/OR CEILINGS TO SUPPORT FIXTURE WEIGHT. FOCAL POINT, L.L.C. ACCEPTS NO RESPONSIBILITY FOR INADEQUATELY REINFORCED WALLS AND/OR CEILINGS.

THE INFORMATION CONTAINED IN THIS DRAWING IS THE SOLE PROPERTY OF FOCAL POINT LLC. ANY REPRODUCTION IN PART OR WHOLE WITHOUT THE WRITTEN PERMISSION OF FOCAL POINT LLC IS PROHIBITED.

2003 © FOCAL POINT LLC



FOCAL POINT

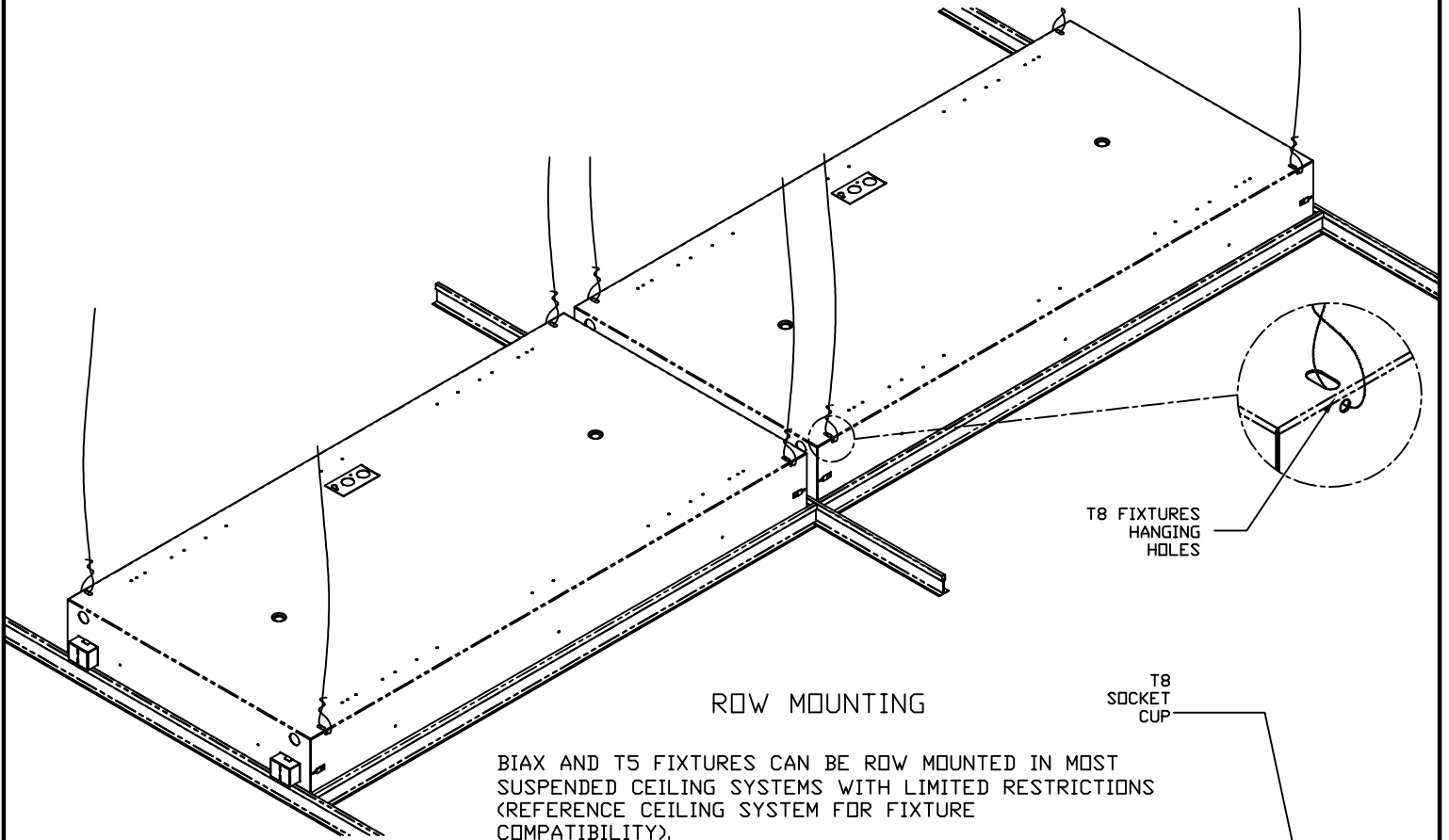
INSTALLATION GUIDE NO.

IS0097

DWG. NO.

REV. A

T8 ROW MOUNTING RESTRICTIONS



ROW MOUNTING

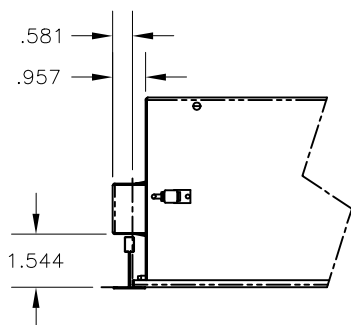
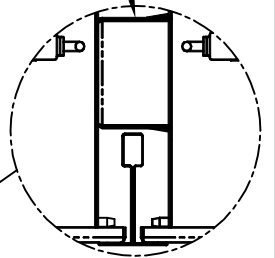
T8 FIXTURES HANGING HOLES

T8 SOCKET CUP

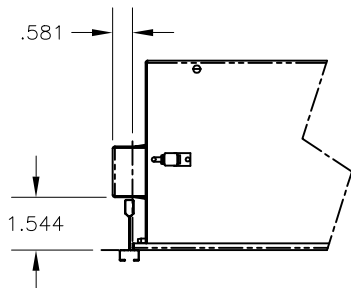
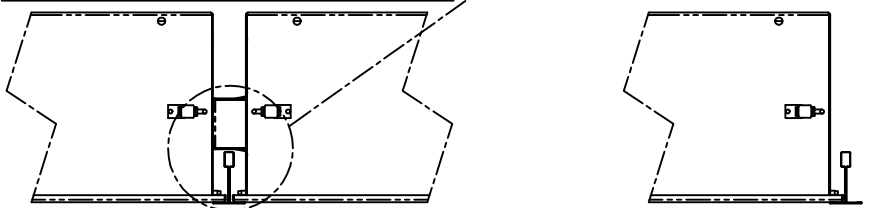
BIAX AND T5 FIXTURES CAN BE ROW MOUNTED IN MOST SUSPENDED CEILING SYSTEMS WITH LIMITED RESTRICTIONS (REFERENCE CEILING SYSTEM FOR FIXTURE COMPATIBILITY).

T8 FIXTURES CAN BE ROW MOUNTED IN MOST SUSPENDED CEILING SYSTEMS. T8 FIXTURES ARE SUPPLIED WITH 2 SOCKET CUPS EXTENDING .957" BEYOND THE END CAP, CEILING SYSTEM MUST ALLOW THESE CUPS TO EXTEND INTO NEXT FIXTURE OPENING. WALL TO WALL FIXTURE RUNS ARE NOT POSSIBLE UNLESS WALL IS MODIFIED.

HIGH PROFILE SUSPENDED CEILING SYSTEMS (OVER 1.5" INCHES) WILL REQUIRE MODIFICATION OR FIXTURES WITH BIAX OR T5 LAMP TYPES.



EXPOSED-T BAR (GRID)



FINE LINE (SLOT-T)

