

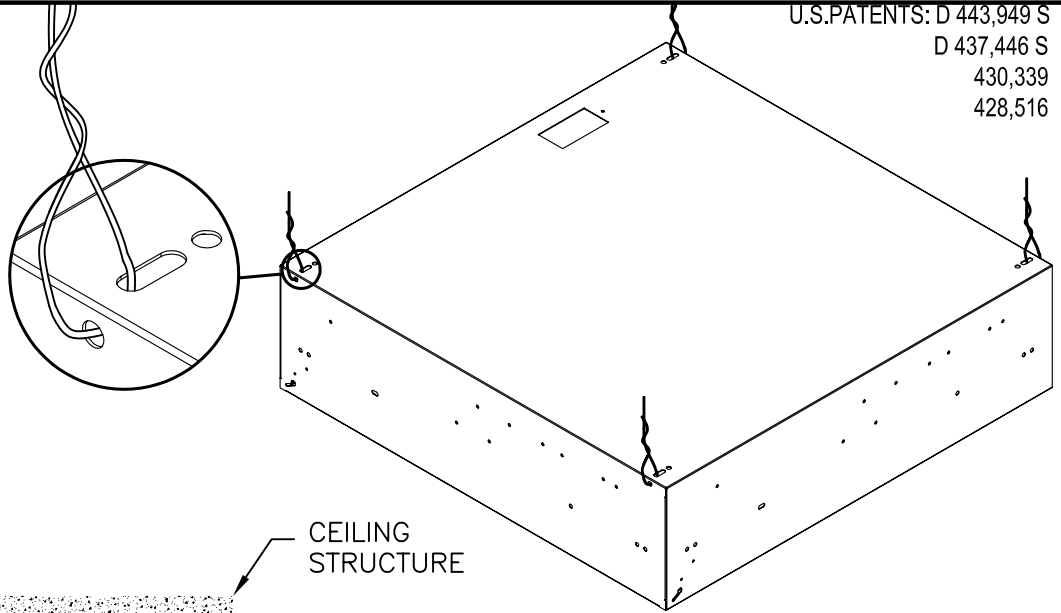
SKY - FSK 22 GRID

SAFETY AND INSTALLATION INSTRUCTIONS

FIXTURES MUST BE INSTALLED BY A QUALIFIED ELECTRICIAN (CHECK WITH LOCAL AND NATIONAL CODES FOR PROPER INSTALLATION). TO PREVENT ELECTRICAL SHOCK, DISCONNECT ELECTRICAL SUPPLY BEFORE INSTALLATION OR SERVICING.

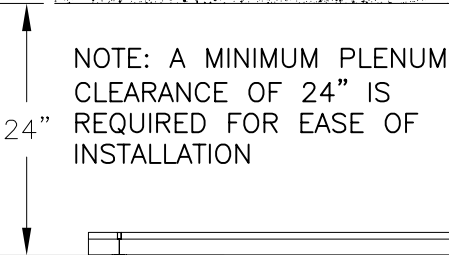
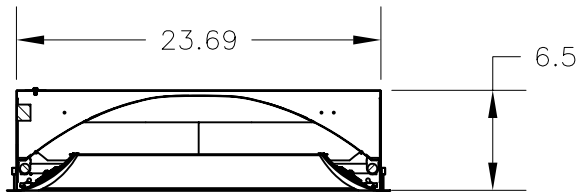
U.S.PATENTS: D 443,949 S
D 437,446 S
430,339
428,516

LUMINAIRE TO BE SECURED BY CABLE (OR EQUIVALENT) UTILIZING 2 HOLES AND SLOT (LOCATED ON 4 CORNERS OF FIXTURE). SECURE LUMINAIRE TO CROSS BEAM OR OTHER STRUCTURE.



CEILING STRUCTURE

LUMINAIRE DIMENSIONS

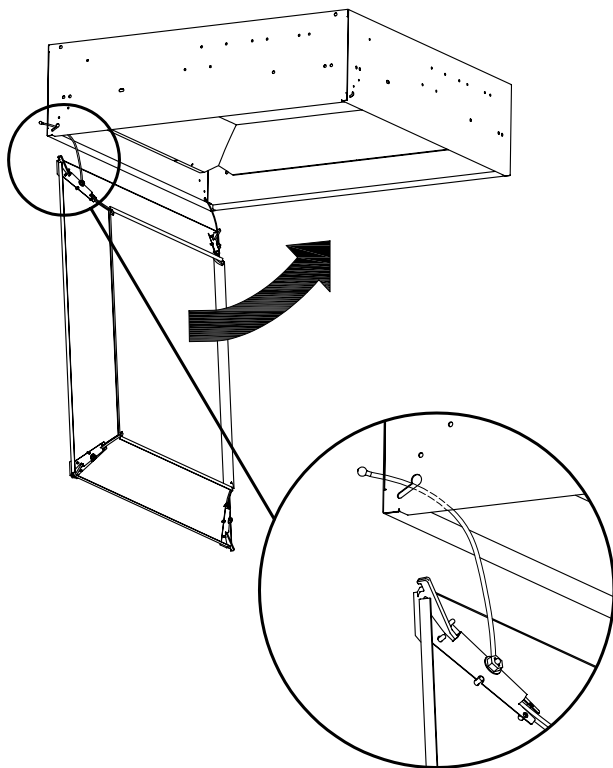


SHIELD INSTALLATION & REMOVAL:

SHIELD TO BE INSTALLED AFTER LUMINAIRE HOUSING IS SECURE IN CEILING

- 1) SLIDE BALL AND SHANK (ATTACHED TO LANYARD, 2 PER SHIELD) THROUGH KEYHOLE OPENING ON HOUSING.
- 2) SWING SHIELD UP AND SLIDE INTO HOUSING. AFTER SHIELD IS IN HOUSING, MOVE SHIELD INTO POSITION SO EDGES ARE EQUALLY SPACED FROM ALL WALLS.
- 3) MOVE LANYARDS TO AVOID SHADOW THROUGH PERFORATED SHIELD BY POSITIONING TOWARDS BOTTOM OF SHIELD AND PULLING SLACK THROUGH HOUSING.

TO REMOVE, LIFT SHIELD AND MANEUVER CORNERS OUT OF THE FIXTURE OPENING. SHIELD WILL HANG FROM LANYARDS DURING LAMP MAINTENANCE.



CONTRACTOR IS RESPONSIBLE FOR ADEQUATELY REINFORCING WALLS AND/OR CEILINGS TO SUPPORT FIXTURE WEIGHT. FOCAL POINT, L.L.C. ACCEPTS NO RESPONSIBILITY FOR INADEQUATELY REINFORCED WALLS AND/OR CEILINGS.

THE INFORMATION CONTAINED IN THIS DRAWING IS THE SOLE PROPERTY OF FOCAL POINT LLC. ANY REPRODUCTION IN PART OR WHOLE WITHOUT THE WRITTEN PERMISSION OF FOCAL POINT LLC IS PROHIBITED. 2007 © FOCAL POINT LLC



INSTALLATION GUIDE NO.

IS0161

DWG. NO.

REV. D

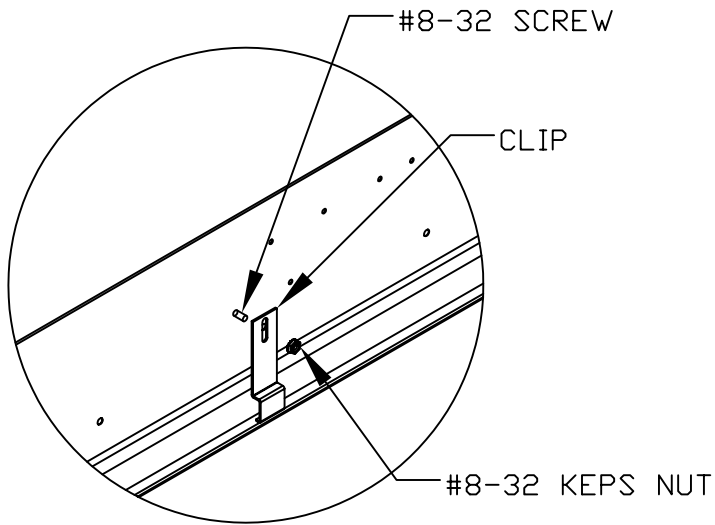


FIGURE 1

SECURING CLIP INSTALLATION

1. PLACE LUMINAIRE INTO DEISRED TEE OPENING

2. PLACE CLIP OVER SCREW THAT PROTRUDES FROM HOUSING AS SHOWN (FIGURE 1)

3. PRESS CLIP DOWN UNTIL IT MAKES CONTACT WITH UPPER SURFACE OFF TEE BAR & TIGHTEN NUT (FIGURE 2)

4. CONTINUE WITH STEPS 1-3 FOR EACH SIDE OF HOUSING (FIGURE 3)

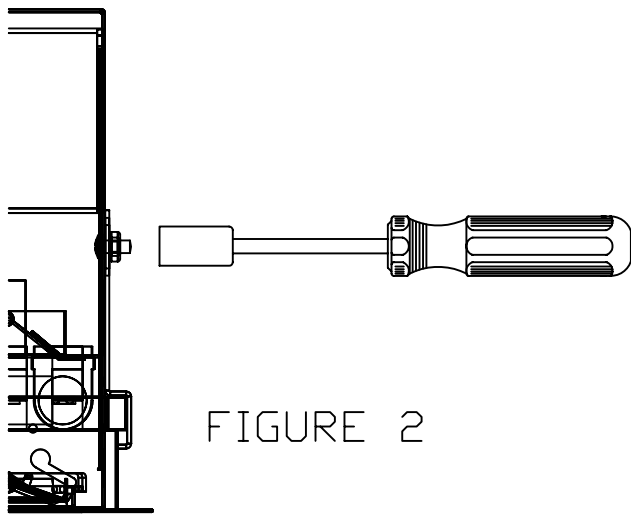


FIGURE 2

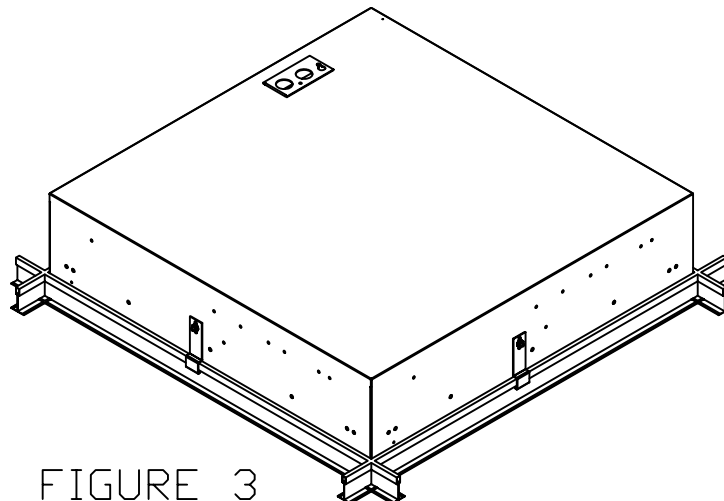


FIGURE 3