

FTV47 INSTALLATION GUIDE

SAFETY AND INSTALLATION INSTRUCTIONS

FIXTURES MUST BE INSTALLED BY A QUALIFIED ELECTRICIAN (CHECK WITH LOCAL AND NATIONAL CODES FOR PROPER INSTALLATION). TO PREVENT ELECTRICAL SHOCK, DISCONNECT ELECTRICAL SUPPLY BEFORE INSTALLATION OR SERVICING.

1. READ ALL INSTRUCTIONS PRIOR TO INSTALLATION.
2. DISCONNECT ELECTRICAL POWER BEFORE SERVICING LUMINAIRES.
3. TO AVOID DAMAGE, KEEP LUMINAIRE IN ORIGINAL CARTON.
4. DO NOT PLACE HEAVY OBJECTS ON CARTON.

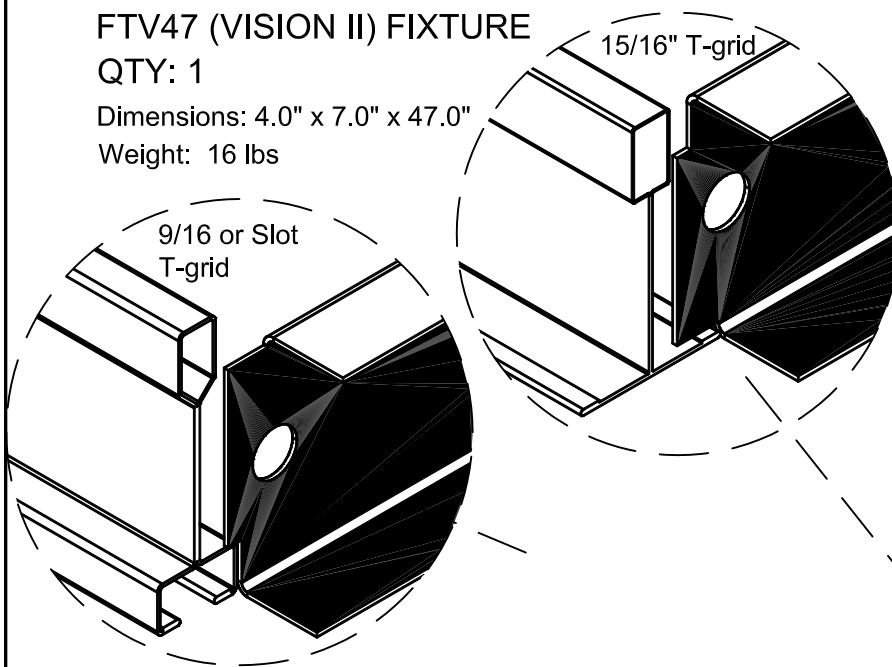
UNIT DESCRIPTION

FTV47 (VISION II) FIXTURE

QTY: 1

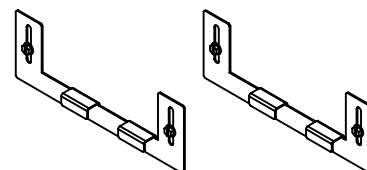
Dimensions: 4.0" x 7.0" x 47.0"

Weight: 16 lbs

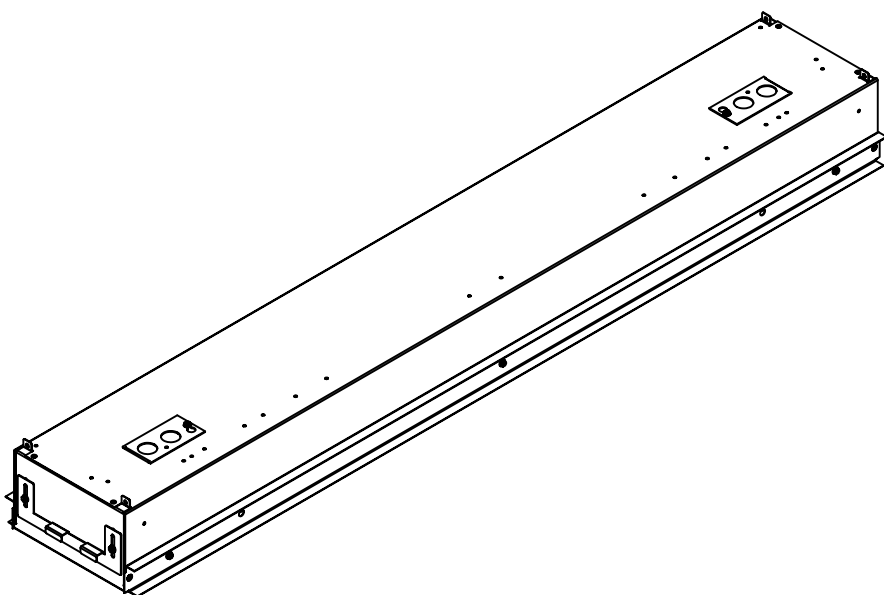
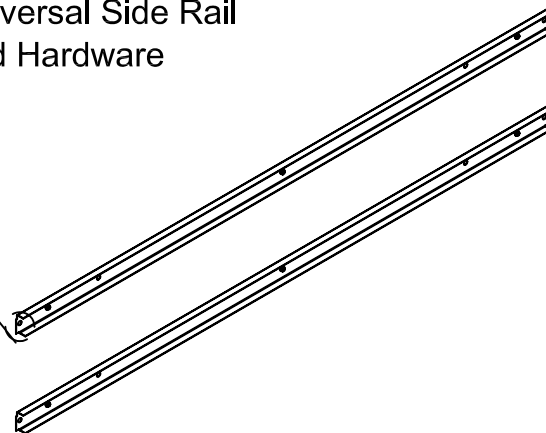


SUPPLIED BY FOCAL POINT

End Support Brackets and Hardware



Universal Side Rail and Hardware



CONTRACTOR IS RESPONSIBLE FOR ADEQUATELY REINFORCING WALLS AND/OR CEILINGS TO SUPPORT FIXTURE WEIGHT. FOCAL POINT, L.L.C. ACCEPTS NO RESPONSIBILITY FOR INADEQUATELY REINFORCED WALLS AND/OR CEILINGS.

THE INFORMATION CONTAINED IN THIS DRAWING IS THE SOLE PROPERTY OF FOCAL POINT LLC. ANY REPRODUCTION IN PART OR WHOLE WITHOUT THE WRITTEN PERMISSION OF FOCAL POINT LLC IS PROHIBITED.

2004 © FOCAL POINT LLC

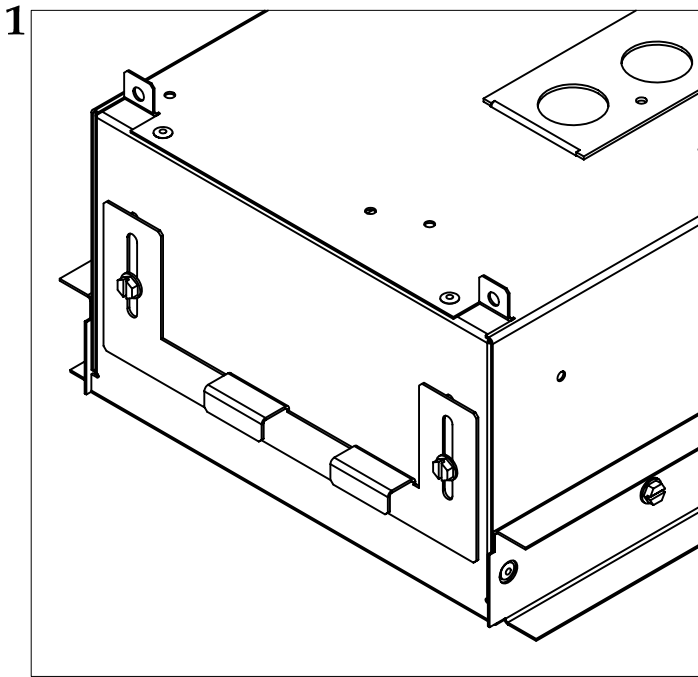


INSTALLATION GUIDE NO.

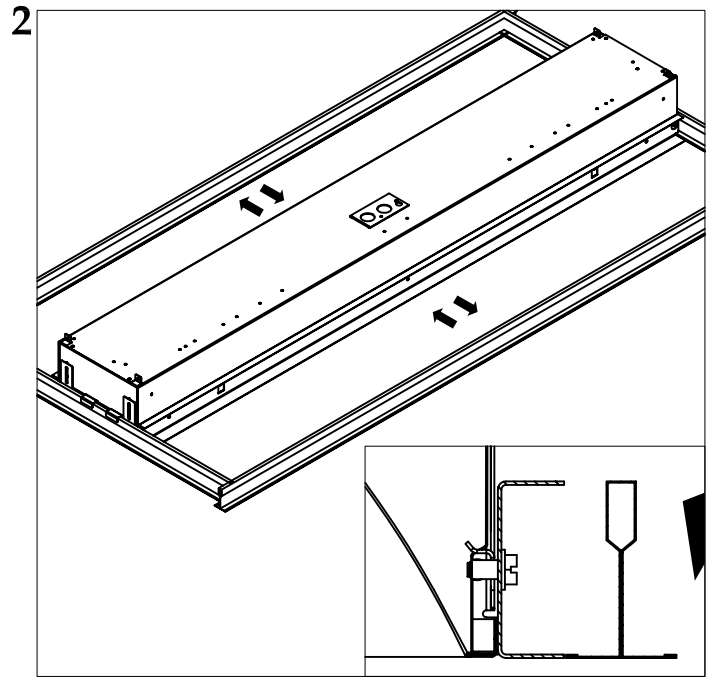
IS0215

DWG. NO.

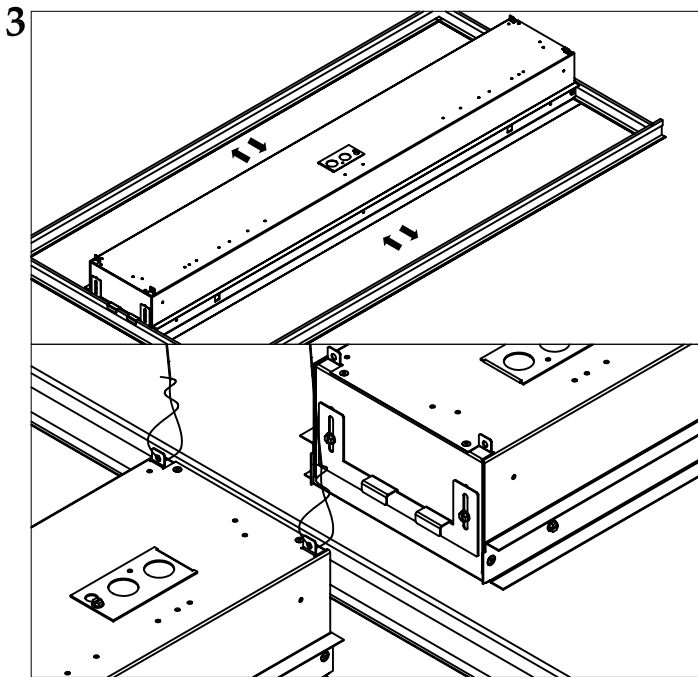
REV. A



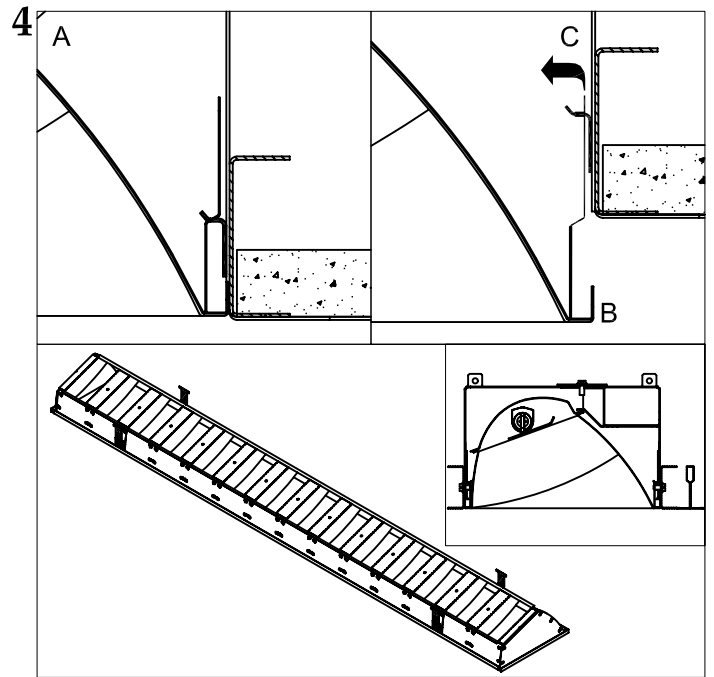
1
SELECT PROPER SIDE RAIL ORIENTATION (SEE PAGE 1) AND INSTALL, INSTALL END SUPPORT BRACKETS (DO NOT TIGHTEN).



2
POSITION LUMINAIRE IN GRID OPENING, ADJUST END SUPPORT BRACKETS UNTIL BOTTOM OF SIDE RAIL IS FLUSH WITH CEILING GRID AND TIGHTEN.



3
ADJUST LUMINAIRE LOCATION ACROSS WIDTH OF GRID OPENING AND TIE TO STRUCTURE ABOVE CEILING. STAGGERED DETAIL OF END SUPPORT BRACKET ALLOWS FOR CONTINUOUS ROW MOUNTING.



4
TO REMOVE LOUVER:
PULL FIRMLY ON SECOND BLADE FROM EACH END TO RELEASE FROM LOCKED POSITION (A), ALLOW LOUVER TO REST IN DROPPED POSITION (B). LIFT FROM DROPPED POSITION AND PUSH IN RETENTION CLIPS (C) TO COMPLETELY REMOVE.

TO INSTALL LOUVER:
ENGAGE RETENTION CLIPS ON MOUNTING BRACKETS (C) AND PUSH UP FIRMLY TO LOCK IN PLACE.