

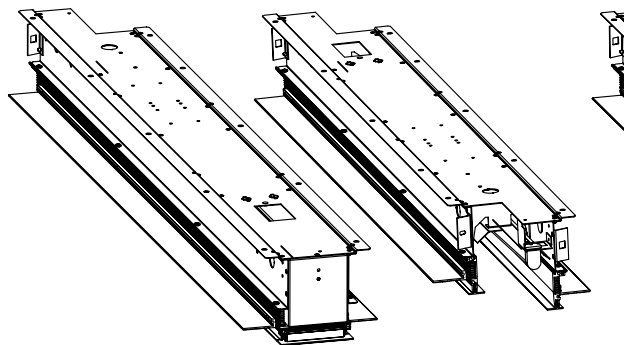
FIN3 - INFINITE

SAFETY AND INSTALLATION INSTRUCTIONS

FIXTURES MUST BE INSTALLED BY A QUALIFIED ELECTRICIAN (CHECK WITH LOCAL AND NATIONAL CODES FOR PROPER INSTALLATION). TO PREVENT ELECTRICAL SHOCK, DISCONNECT ELECTRICAL SUPPLY BEFORE INSTALLATION OR SERVICING.

1. IDENTIFY LUMINAIRE: START-END OR INTERMEDIATE

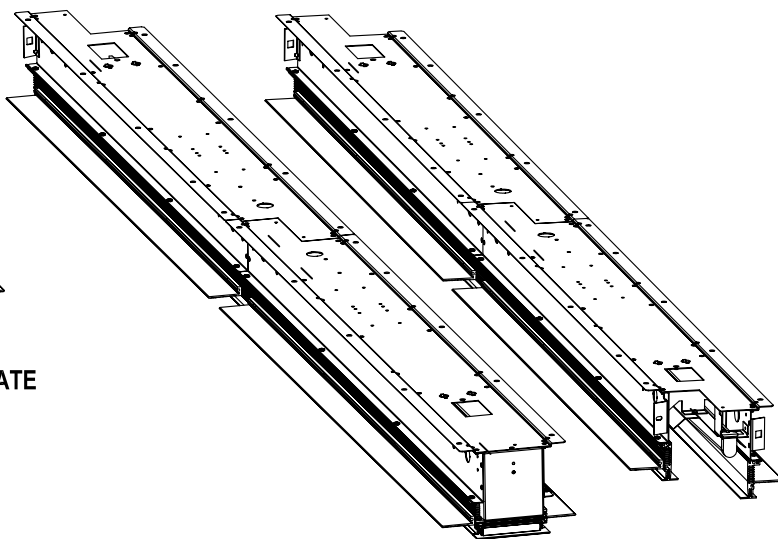
FIN3 3' AND 4' LUMINAIRE



START OR END

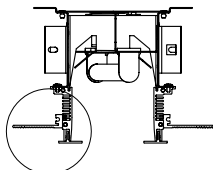
INTERMEDIATE

FIN3 6' AND 8' LUMINAIRE

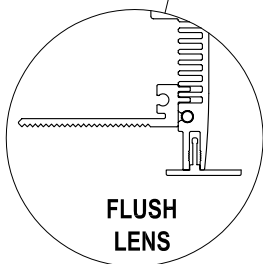


START OR END

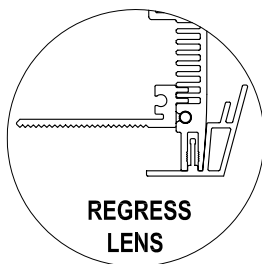
INTERMEDIATE



TRIM FLANGE

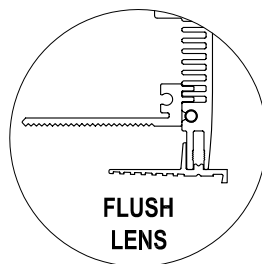


FLUSH LENS

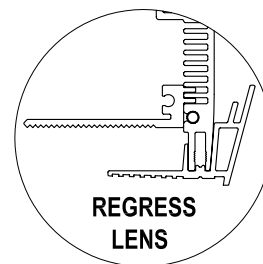


REGRESS LENS

TRIMLESS



FLUSH LENS



REGRESS LENS

HARDWARE SUPPLIED:

- #8 x 1 1/2" SELF DRILL DRYWALL SCREWS
- ⏏ 8-32 x 1/4" FLAT HEAD PHILLIPS SCREWS

1. READ ALL INSTRUCTIONS PRIOR TO INSTALLATION.
2. DISCONNECT ELECTRICAL POWER BEFORE SERVICING LUMINAIRE.
3. TO AVOID DAMAGE, KEEP LUMINAIRE IN ORIGINAL CARTON.
4. DO NOT PLACE HEAVY OBJECTS ON CARTONS.

CONTRACTOR IS RESPONSIBLE FOR ADEQUATELY REINFORCING WALLS AND/OR CEILINGS TO SUPPORT FIXTURE WEIGHT. FOCAL POINT, L.L.C. ACCEPTS NO RESPONSIBILITY FOR INADEQUATELY REINFORCED WALLS AND/OR CEILINGS.

THE INFORMATION CONTAINED IN THIS DRAWING IS THE SOLE PROPERTY OF FOCAL POINT LLC. ANY REPRODUCTION IN PART OR WHOLE WITHOUT THE WRITTEN PERMISSION OF FOCAL POINT LLC IS PROHIBITED. 2006 © FOCAL POINT LLC



FOCAL POINT

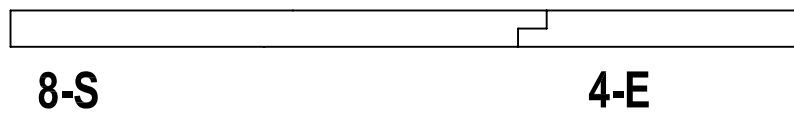
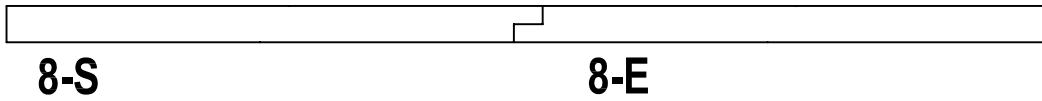
INSTALLATION GUIDE NO.

ISO236

DWG. NO.

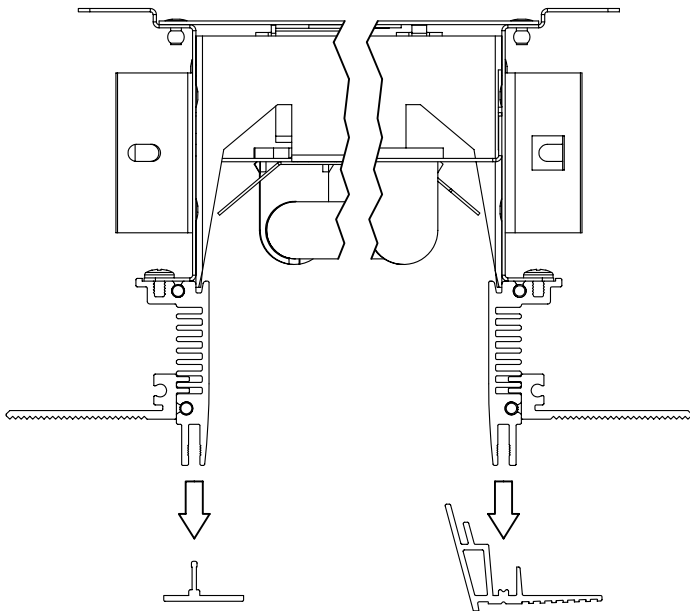
REV. A

2. CONTINUOUS ROW EXAMPLE



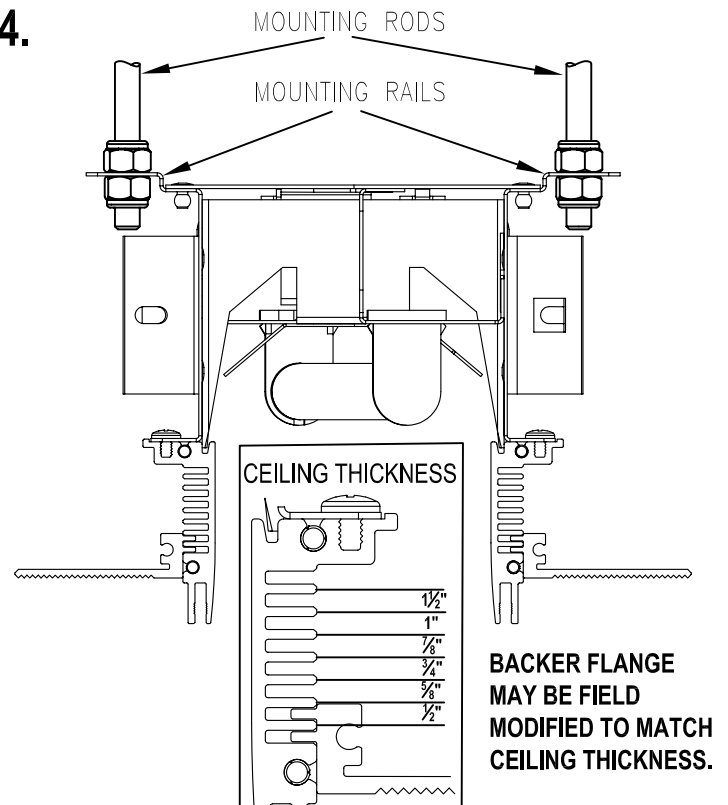
8-S - START
8-I - INTERMEDIATE
4-E - END
8-E - END

3.



REMOVE TRIM FROM LUMINAIRE AS SHOWN BEFORE INSTALLATION.

4.



SECURE LUMINAIRE TO STRUCTURE.
LUMINAIRE MUST BE INSTALLED PRIOR TO DRYWALL CEILING.
LUMINAIRE PROVIDED WITH MOUNTING RAILS FOR USE WITH
1/4-20 THREADED RODS. (MOUNTING HARDWARE BY OTHERS)

QDM
CONNECTOR

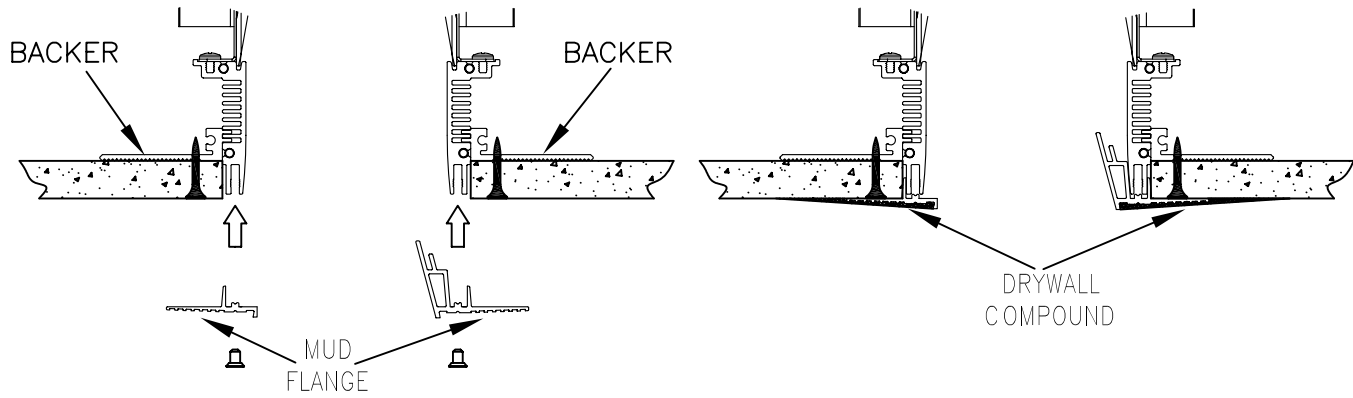
7a. TRIM FLANGE INSTALLATION



CEILING
THICKNESS

NGE MAY BE FIELD
ADJUSTED IF NECESSARY BY REMOVING SCREWS AND
RELOCATING TO APPROPRIATE HEIGHT (SEE INSTRUCTION #4
ON PAGE 2 FOR ADDITIONAL INFORMATION).

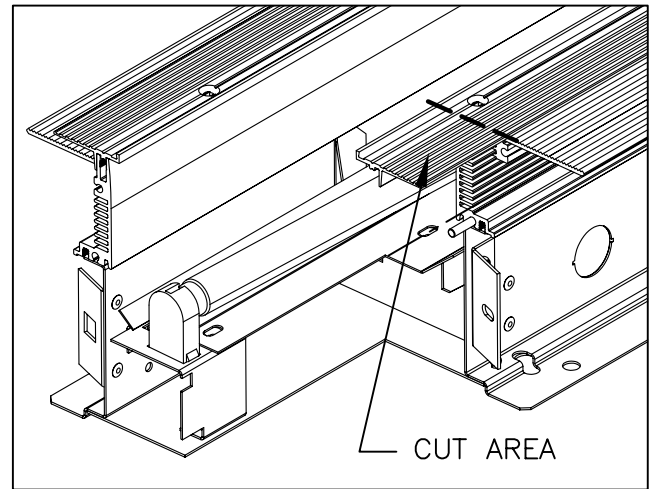
7b. TRIMLESS FLANGE INSTALLATION



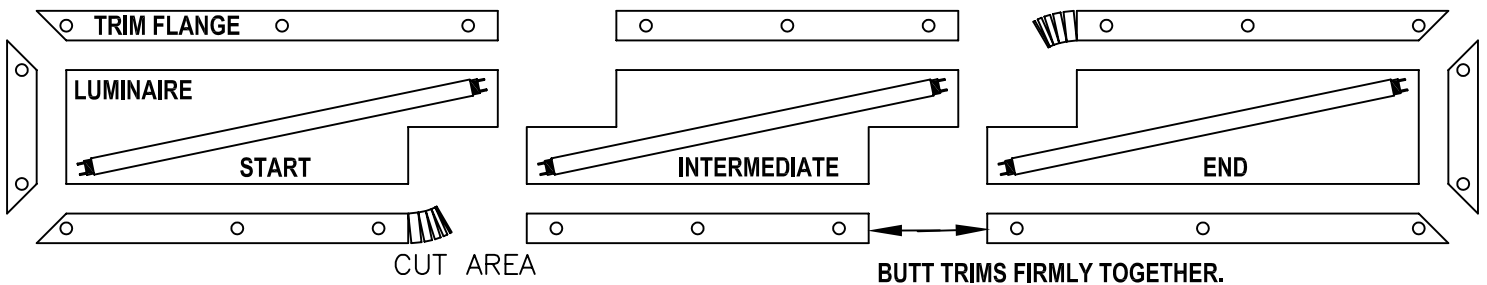
ATTACH TRIMLESS FLANGE TO HOUSING WITH 8-32 x 1/4" FLAT HEAD PHILLIPS SCREWS (FACTORY SUPPLIED). TO AVOID STRIPPING SCREWS DO NOT OVER TIGHTEN. FINISH CEILING PER SPECIFICATION.

8a. TRIM CUTTING

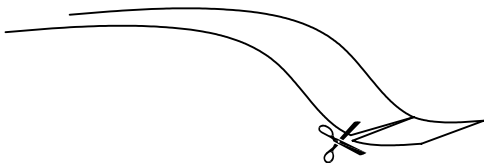
DUE TO IMPRECISE NATURE OF DRYWALL CEILING INSTALLATION, OVSIZED TRIM IS PROVIDED FOR FIELD CUTTING. CUT EXCESS TRIM IN AREA AS SHOWN ON START AND END OF RUN LUMINAIRE.



CUT AREA - USE A SAW BLADE TO CUT EXCESS TRIM. FOR CLEAN INSTALLATION, TRIM MUST BE CUT PRECISELY AND TOUCH END TO END TO MINIMIZE SEAM.



8b. LENS INSTALLATION



REMOVE PROTECTIVE FILM AND INSTALL LENS (FROSTED SIDE DOWN) TO COMPLETE INSTALLATION. LENS LENGTH SUPPLIED OVSIZED, IT MUST BE PRECISELY CUT TO LENGTH IN FIELD WITH SCISSORS.