

seem 4™ grid ceiling

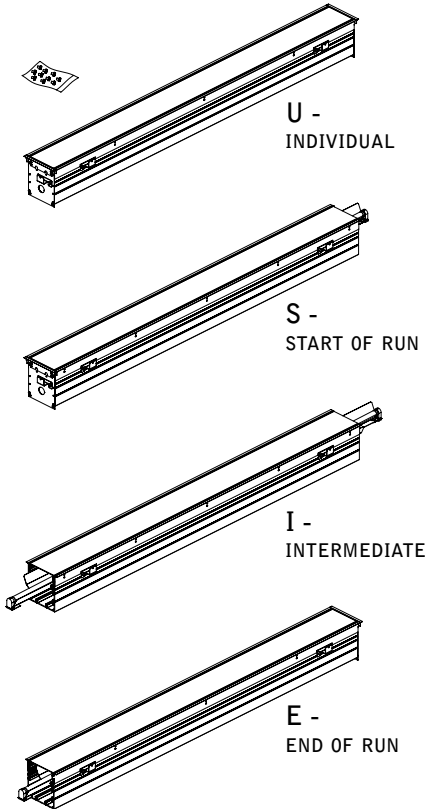
FSM4



FOCAL POINT™

! CONFIGURATIONS ARE RUN SPECIFIC, PLEASE CONSULT FACTORY DRAWINGS BEFORE BEGINNING INSTALLATION. !

FOCAL POINT



PARTS LISTS

SHIPPED IN HARDWARE BAG

REFLECTOR SCREW (70008)
(6-32 X 5/16 PAN-HEAD MACHINE SCREW)

PARTS SHIPPED INSTALLED

TIE-WIRE BRACKET SCREW (72010)
(8-18 x 1/4 SELF TAPPING SCREW)

JOINER BRACKET (11920)

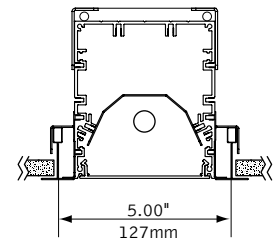
TIE-WIRE BRACKET (12547)

JOINER BRACKET (11849)

KEY

- POWER OFF
- POWER ON
- ATTENTION

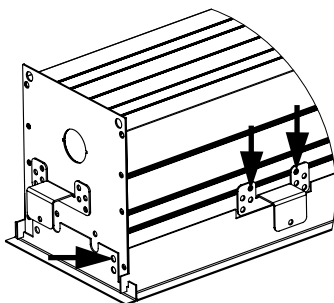
! GRID SPACING FOR ALL GRID TYPES



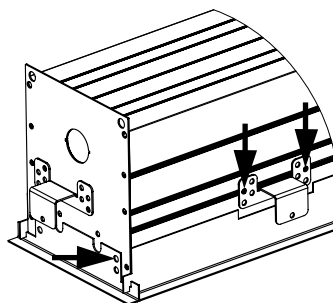
RAIL & CLIP GUIDE



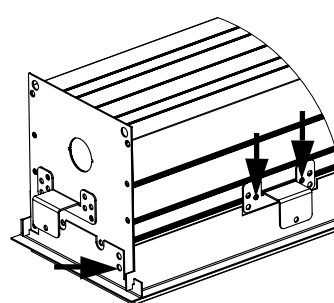
CHECK RAIL & CLIP POSITIONS BEFORE INSTALLATION. ARROWS INDICATE SCREW POSITIONS. TO CHANGE IN THE FIELD REMOVE AND REINSTALL ACCORDING TO DIAGRAMS BELOW.



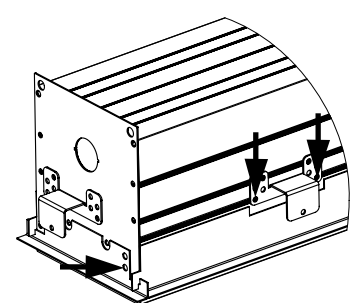
G1: STD 15/16" LAY-IN TILE
G2: STD 9/16" LAY-IN TILE



G4: TALL 15/16" LAY-IN TILE
G5: TALL 9/16" LAY-IN TILE



G3: 9/16" SLOT-TEE TEGULAR TILE
T1: STD 15/16" TEGULAR TILE
T2: STD 9/16" TEGULAR TILE
T6: 9/16" NODE TEGULAR TILE

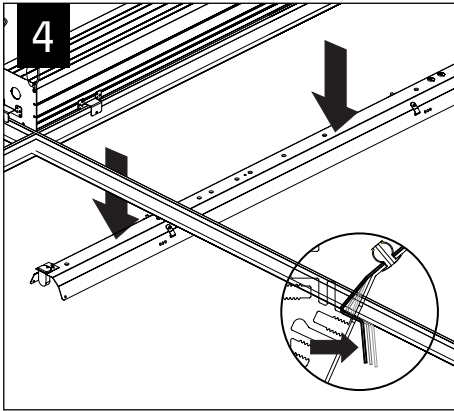
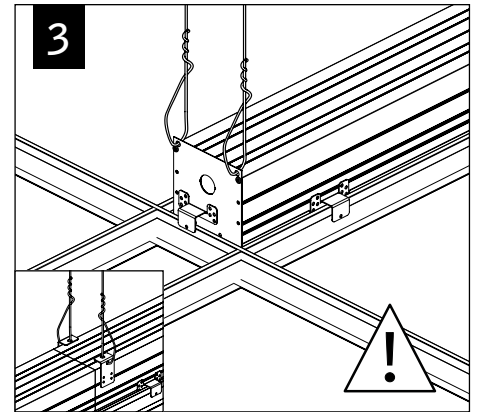
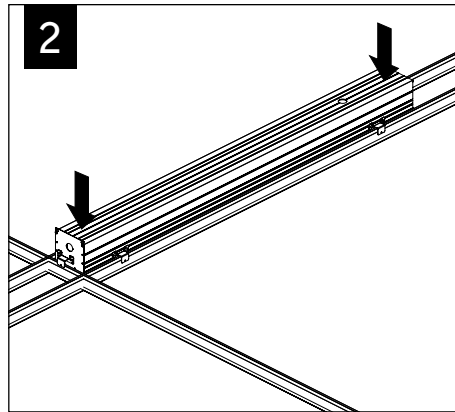
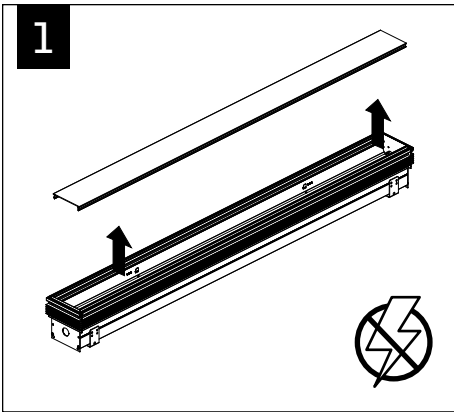


T4: TALL 15/16" TEGULAR TILE

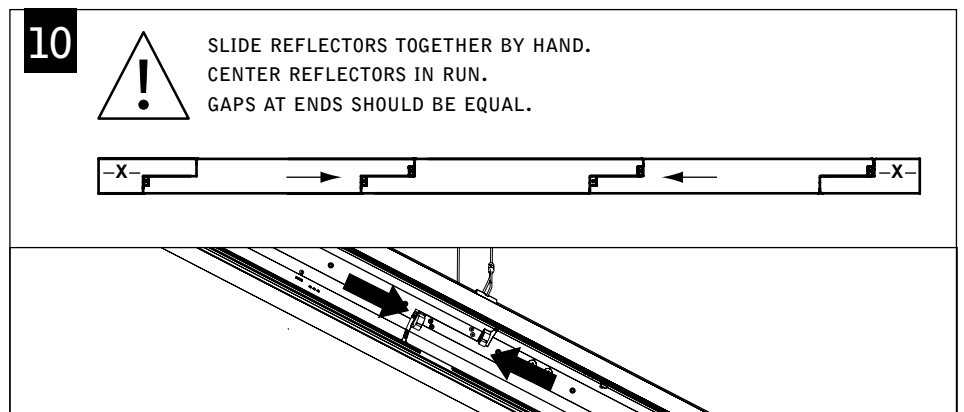
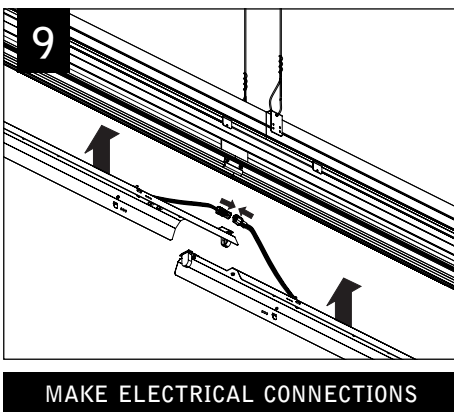
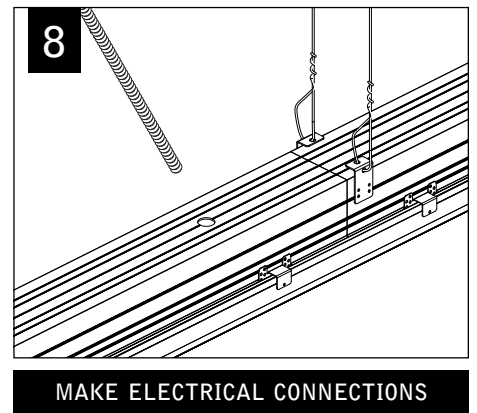
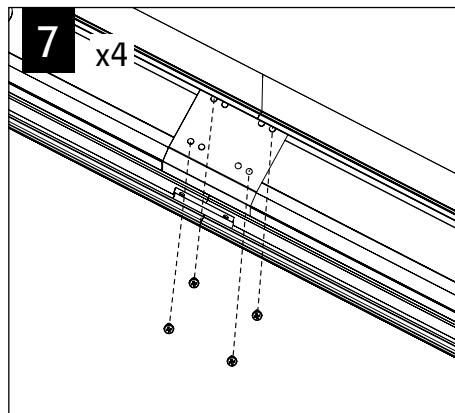
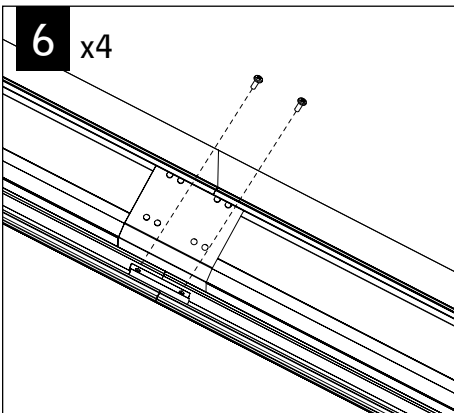
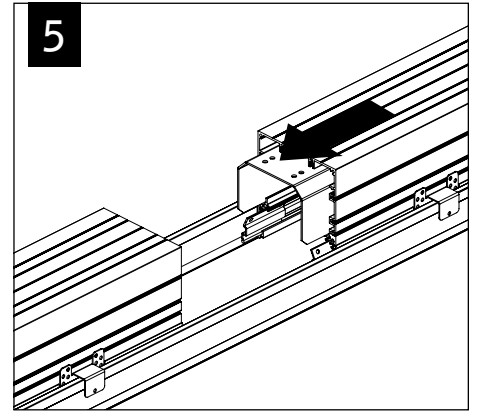


STD = 1-1/2" TEE HEIGHT, TALL = 1-11/16" TEE HEIGHT

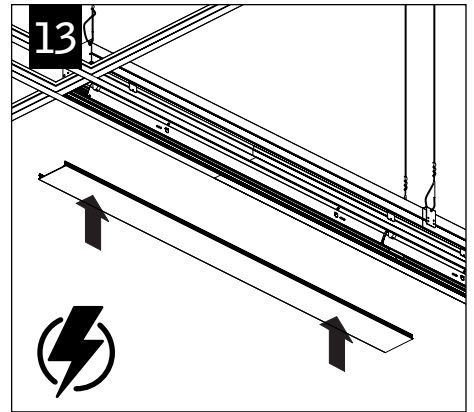
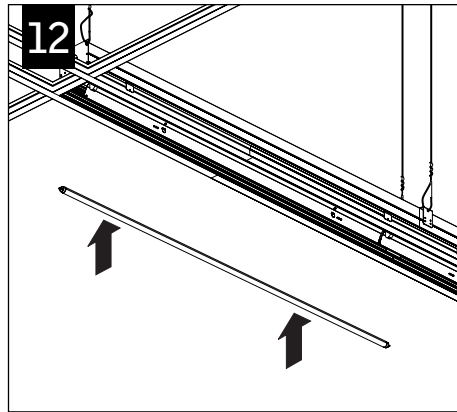
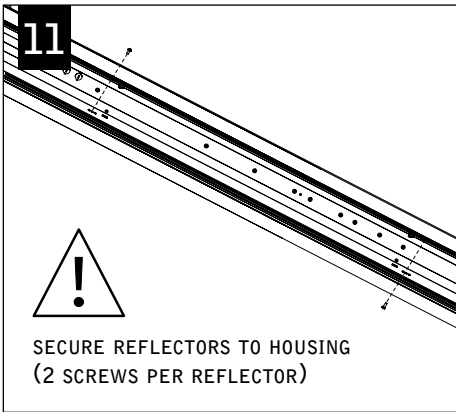
Luminaires must be installed by a qualified electrician (check with local and national codes for proper installation). To prevent electrical shock, disconnect electrical supply before installation or servicing.



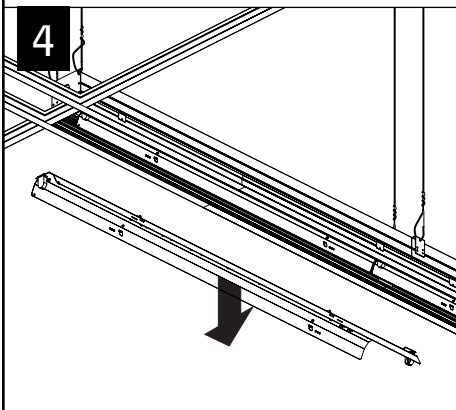
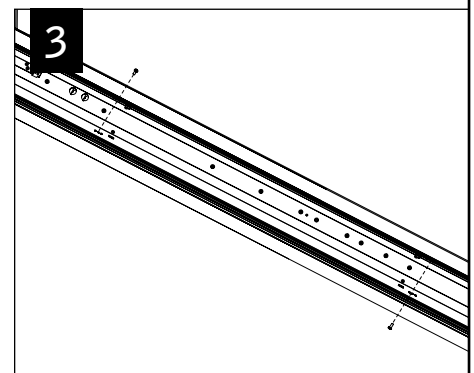
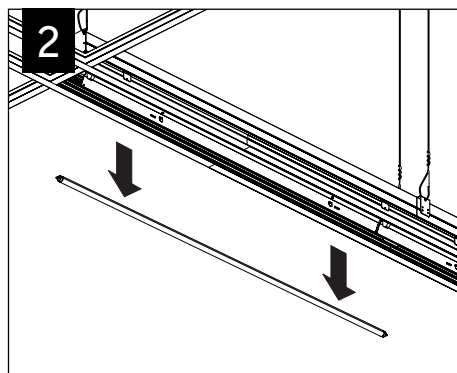
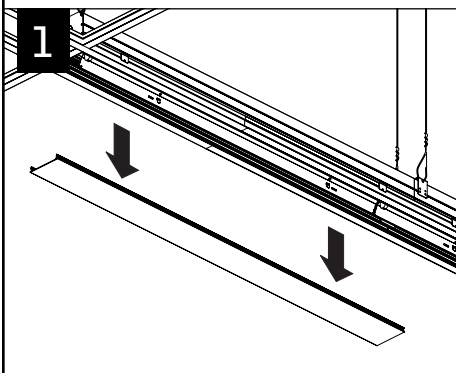
**INDIVIDUAL INSTALLATIONS
SKIP TO STEP 9**



Luminaires must be installed by a qualified electrician (check with local and national codes for proper installation).
To prevent electrical shock, disconnect electrical supply before installation or servicing.



BALLAST SERVICE



Contractor is responsible for adequately reinforcing walls and/or ceilings to support luminaire weight. Focal Point, LLC accepts no responsibility for inadequately reinforced walls and/or ceilings. The information contained in this drawing is the sole property of Focal Point, LLC. Any reproduction in part or whole without the written permission of Focal Point, LLC is prohibited.